

# KSPOWER®

专心致志做好一件事

——为客户提供有竞争力、可信赖的好电源!

**KSPOWER** is concentrate on doing one thing well

——provide customers with competitive, reliable  
LED drivers & Power supplies!



SHENZHEN ZHENHUAN ELECTRONICS CO., LTD.  
SHENZHEN KEYSUN TECHNOLOGY LIMITED.

TEL: +86-755-81461285

FAX: +86-755-81461215

ADDRESS: 8-9TH FLOOR, BUILDING 2, JINGYEFANG INDUSTRIAL ZONE,  
NO. 1, FENGXING ALLEY, FENGXING FIRST INDUSTRIAL ZONE,  
FUYONG, BAOAN DISTRICT, SHENZHEN

<https://www.szzhpower.com/>  
<https://www.keysuntech.com/>



## DEVELOPMENT COURSE

In 2008, Shenzhenshi Zhenhuan Electronic Co.,Ltd. Was Established, And The First Power Adapter Developed By Ourselves Was Officially Released To The Public

In 2009, The Self-Developed Led Driver Power Supply Was Officially Put On Sale. In The Same Year, The Company Expanded The Production Area.

In 2010, Zhenhuan Implemented The Total Quality Management System, And Products Obtained CCC Certification

In 2011, Zhenhuan Obtained ISO-9001(TUV), ISO14001:2004 And ISO9001:2000 Certifications.

In 2012, Products Approved UL/cUL,CE,GS,RoHS Certification, And Imported Green Products, Lead-Free Process And Equipment.

In 2013, Zhenhuan Equipped With Excellent Wave Soldering Production Line, And Obtained The Approval Of California Energy Efficiency Laboratory.

In 2014, Zhenhuan Passed By CQC And KC Certifications.

In 2015, It Obtained The Laboratory Accreditation Certificate From CNAS, And Passed The ISO 9001:2008, ISO 14001:2004 System Certification From SGS.

In 2016, The Production Of Industry-Leading America Energy Efficiency VI power Adapter, Obtained RCM, KC KCC Certifications. Develop A Subsidiary "Shenzhen Keysun Technology Limited."

In 2017, Promoted UL 1310, PSE Certifications, And 150W-200W Series Power Adapter Were Launched.

In 2018, Published New Dimmable Led Driver, Approved UL8750 Class2 Certifications. In April, The Factory Moved To Tangwei Community, Fuhai Street, Bao'an District, Shenzhen

In 2019, Keysun Further Developed Dimming LED Drivers. And Updated UL/IEC62368-1 New Standard Cert., Reached 1:1 Certification Product. Comprehensive Promotion Of Brand"KEYSUN". Factory Expanded Again To A New Address.

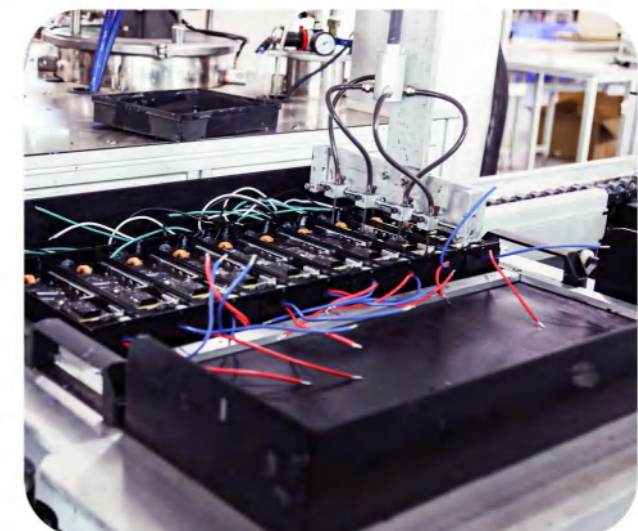
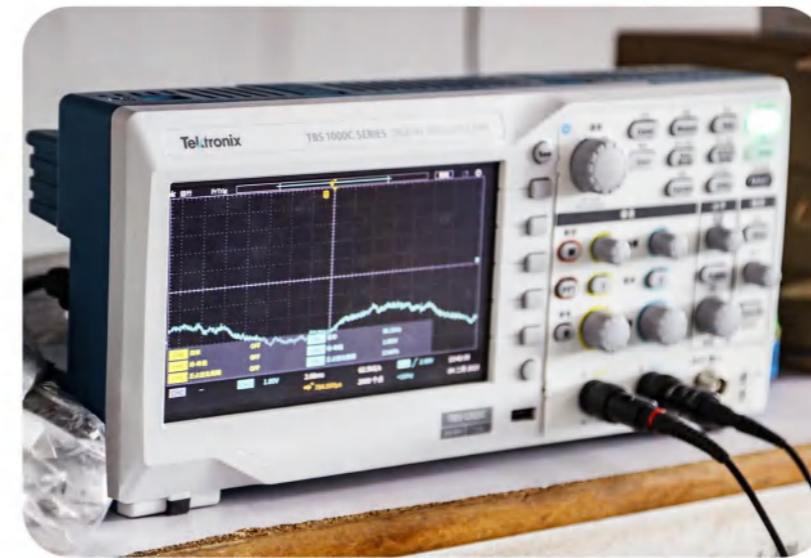
In 2020, Build New Brand "KSPOWER". It Obtained The Led Driver Design Patent And Utility Model Patent Certificates. Increase Investment In Multiple Fully Automated Production Lines, Automatic Screw Locking Machines, Automatic Glue Filling Machines etc.

In 2021, Continue To Develop And Improve New Products. Successfully Signed Agents In North America, The United States And Canada And Other Countries And Regions. Continue To Increase Investment In Various Automation Equipments.

In 2022, Establish A Clear "KSPOWER" Brand Development Route. Our Factory Already Has A Mature Production Process And Quality Control Team, Constantly Strengthening The R&D Team. Products Are Exported To All Over The World.

In 2023, Looking Forward To The Future, We Will Also Be Committed To The Development Of LED Lighting. And With The Mission Of Providing High-Quality Products To The Market!

## FULLY AUTOMATED EQUIPMENT

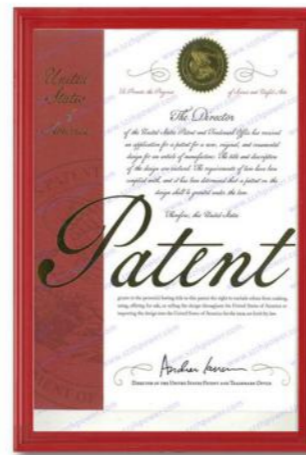
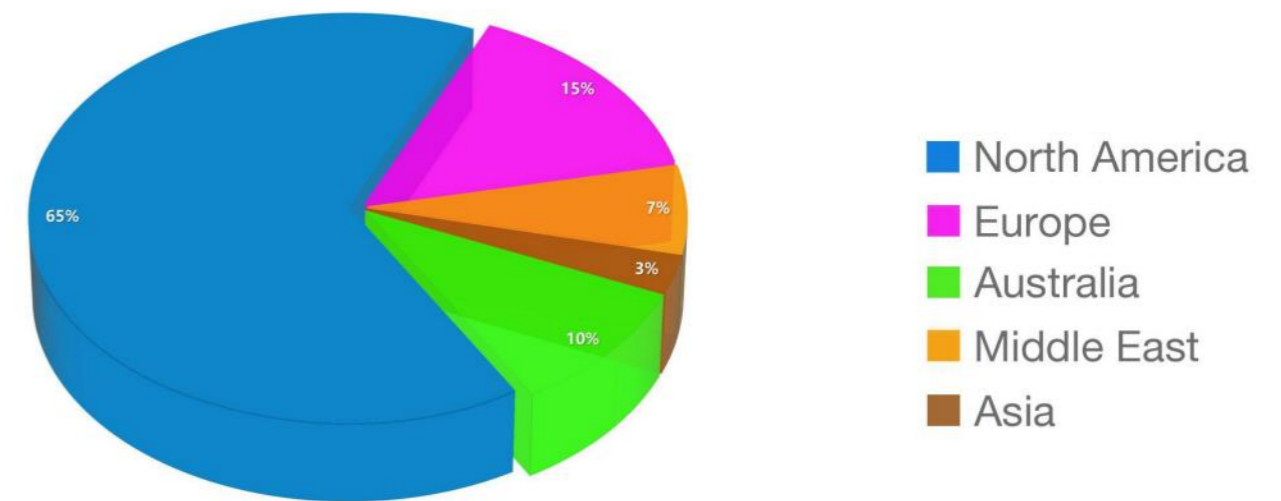


Advanced Equipments Promote Efficient Production And Accurate Quality Control.

## WE HAVE THE AUTHORITY OF THE CERTIFICATION

## Marketing Network

Our LED Driver are exported to many countries and areas, such as North America, Europe, Australia, Middle East, Asia, etc. We have established stable sales network and maintain good co-operation relationship with many well-known enterprises all over the world.



Safety Approvals: UL / cUL ETL / cETL Class 2 CE GS ENEC FCC RoHS

**We Have All Kinds Of Certification, Please Rest Assured  
The Choose And Buy**

In the future , **KSPOWER** will build a world-class brand in the field of LED Driver by research and innovation , to serve customers as the top level.

## Triac / Phase-cut Dimmable LED Driver

<b>HTJ</b> Series - Junction Box, UL/cUL CE 40-320W (40-100W Class2) .....	<b>9</b>
<b>HT</b> Series - Wire Connecting, UL/cUL CE 40-320W (40-100W Class2).....	<b>10</b>
<b>LT</b> Series - Slim Version, UL/cUL Class2 CE 30-100W.....	<b>11</b>
<b>HMT</b> Series - Junction Box,UL/CUL Class 2 Mutiple output .....	<b>12</b>
<b>NT</b> Series - 120V & 230V UL/cUL Class2 CE .....	<b>13</b>
<b>ET</b> Series - 100-120VAC & 200-240VAC ETL/cETL Class2 CE .....	<b>14</b>
<b>PUT</b> Series - 100-120VAC & 200-240Vac UL/cUL Class2 CE.....	<b>15</b>
<b>MINI</b> Series - Compact size,UL/CUL Class 2.....	<b>16</b>

## Triac / 0-10V / 1-10V / 10V PWM / Resistance Dimming (5 in 1)

<b>HPJ</b> Series - Junction Box, UL/cUL CE 40-320W (40-100W Class2) .....	<b>18</b>
<b>HP</b> Series - Wire Connecting, UL/cUL CE 40-320W (40-100W Class2).....	<b>19</b>
<b>HMP</b> Series -Junction Box,UL/CUL Class 2 Mutiple output.....	<b>20</b>
<b>LP</b> Series -Slim Version, UL/cUL Class2 CE 30-100W.....	<b>21</b>

## 0-10V / 1-10V / 10V PWM / Resistance Dimming (4 in 1)

<b>HOJ</b> Series - Junction Box, UL/cUL CE 40-320W (40-100W Class2).....	<b>23</b>
<b>HO</b> Series - Wire Connecting, UL/cUL CE 40-320W (40-100W Class2).....	<b>24</b>
<b>HMO</b> Series -Junction Box,UL/CUL Class 2 Mutiple output.....	<b>25</b>
<b>LO</b> Series - Slim Version, UL/cUL Class2 CE 30-100W.....	<b>26</b>

## Non-dimmable LED Driver

<b>PUM</b> Series - Cabinet Smart LED Driver (20W/40W/60W/90W).....	<b>28</b>
<b>PUS</b> Series - Ultra-thin Design,Plastic case with flying leads (12-90W).....	<b>29</b>
<b>HJ</b> Series - Junction Box, UL / cUL CE 40-320W (40-100W Class2).....	<b>30</b>
<b>H</b> Series - Wire Connecting, UL/cUL CE 40-320W (40-100W Class2).....	<b>31</b>
<b>L</b> Series - Slim Version, UL/cUL Class2 CE 30-100W.....	<b>32</b>
<b>LM</b> Series - Compact and Slim LED Driver (40W/60W/96W).....	<b>33</b>
<b>N</b> Series - 120V & 230V NEMA 3R UL/cUL Class2 CE.....	<b>34</b>
<b>E</b> Series -100-120VAC & 200-240VAC ETL/cETL Class2 CE.....	<b>35</b>
<b>PUN</b> Series -100-120VAC & 200-240Vac UL/cUL Class2 CE.....	<b>36</b>
<b>P</b> Series -110-240VAC, PC Plastic Case .....	<b>37</b>

## Class 2 Power supply

Class 2 Power Supply 5W-96W (Desktop).....	<b>39</b>
Class 2 Power Supply 5W-60W (Wall-mounted).....	<b>40</b>



## Triac / Phase-cut Dimmable LED Driver Constant Voltage

### Outstanding Performance

- PWM output, Not alter LED CRI
- High power factor, PF≥0.95
- For Forward & Reverse phase, MLV, ELV
- 5 years warranty
- Continuous & Smooth & Stable
- Full Dimming range: 0-100%
- Protections: OCP, OVP, SCP, OTP
- Flicker-free

### Differences Between HTJ/HT, HMT,LT, NT, ET and PUT Series



HTJ Series

1. Strong Compatibility with Dimmers of various brands
2. Smooth Dimming & Flicker-free
3. With Detachable Junction Box
4. No buzz or humming
5. Low Temperature rise
6. IP67



HT Series

1. Strong Compatibility with Dimmers of various brands
2. Smooth Dimming & Flicker-free
3. No buzz or humming
4. Low Temperature rise
5. IP67



LT Series

1. Slim & Slender size
2. Used for Linear Shape application
3. Smooth Dimming & Flicker-free
4. IP67



NT Series

1. NEMA 3R Rated Aluminum Enclosure, IP65
2. With Wiring Compartments
3. Smooth Dimming & Flicker-free
4. No buzz or humming



ET Series

1. NEMA 3R Rated Aluminum Enclosure, IP65
2. With Wiring Compartments
3. Smooth Dimming & Flicker-free
4. No buzz or humming



PUT Series

1. Ultra-Thin & Slight size
2. Terminals Direct Wiring or Plugs
3. Potting glue inside, IP30
4. Used for Cabinet, Wardrobe, Smart Mirror, etc



HMT Series

1. Class 2 Multiple output
2. Smooth flicker-free dimming down to 0.1%
3. Compatible with high density LED & COB products
4. Compact size with junction box



MINI Series

1. Mini Electronic Class 2 LED Driver
2. Ultra-small size for easy installation in tight Spaces
3. 10% minimum load, dimming down to 5%
4. Phase Dimmable with ELV, CL and Caseta, also can work without dimmer

## HTJ Series

40W - 320W Constant Voltage  
100-277VAC Triac / Phase-cut Dimmable LED Driver

### Features

- 100-277Vac 50/60Hz Input
- 12V,24V,36V,48V PWM Output
- With Detachable Junction Box
- UL/cUL Class2 FCC CE GS ENEC RoHS Cert.
- For Forward & Reverse Phase, MLV, ELV Dimmer
- High Power Factor, PF≥0.95
- Full Dimming Range: 0-100%
- Flicker-free
- Continuous & Smooth & Stable
- Protections: OCP, OVP, SCP, OTP
- Waterproof, For Dry, Damp, Wet Location
- IP Grade IP65, IP67
- 5 Years Warranty

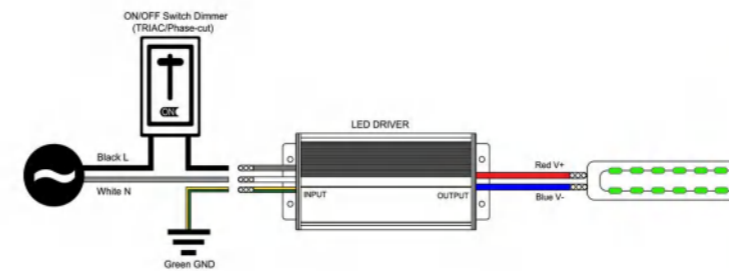


- ✓ Strong Compatibility
- ✓ Detachable Junction Box

0% 100%  
Triac dimmable

UL US Class 2 Class P TYPE HL SELV FC CE GS RoHS

### Wiring diagram



### Typical Applications

- Indoor & Outdoor
- Commercial lighting
- Architectural lighting
- Advertising lighting
- Recessed lighting (downlights)
- Residential lighting
- Office Lighting
- Stage lighting



### Triac/ Phase-cut Dimming Constant Voltage

For 120V & 277V dimmer

PF≥0.95

Location: dry, damp, wet

Dimming Depth: 0.1-100%

Model No. (XX = output voltage)	Output power	Output voltage	Output current	Efficiency	Certificate	Dimension
KS-40AW-XXT	40W	12V/24V/36V/48V	3.3A/1.67A/1.11A/0.83A	≥88%	UL/cUL/CE/TUV-GS/RoHS Class2	(11.7x2.3x1.4)inch 297*58*36MM
KS-60AW-XXT	60W	12V/24V/36V/48V	5A/2.5A/1.67A/1.25A	≥88%	UL/cUL/CE/TUV-GS/RoHS Class2	
KS-80AW-XXT	80W	12V/24V/36V/48V	6.67A/3.33A/2.22A/1.67A	≥88%	UL/cUL/CE/TUV-GS/RoHS (24V,36V,48V) Class2	
KS-96AW-24T	96W	24V	4A	≥88%	UL/cUL/CE/TUV-GS/RoHS Class2	(12.7x2.3x1.4)inch 322*58*36MM
KS-100AW-XXT	100W	12V/24V/36V/48V	8.33A/4.16A/2.78A/2.08A	≥88%	UL/cUL/CE/TUV-GS/RoHS (24V,36V,48V) Class2	
KS-120AW-XXT	120W	12V/24V/36V/48V	10A/5A/3.33A/2.5A	≥89%	UL/cUL/CE/TUV-GS/RoHS	
KS-150AW-XXT	150W	12V/24V/36V/48V	12.5A/6.25A/4.16A/3.13A	≥89%	UL/cUL/CE/TUV-GS/RoHS	(13.5x2.7x1.6)inch 343*68*41MM
KS-180AW-12T	180W	12V	15A	≥89%	UL/cUL/CE/TUV-GS/RoHS	
KS-200AW-XXT	200W	12V/24V/36V/48V	16.66A/8.33A/5.55A/4.16A	≥91%	UL/cUL/CE/TUV-GS/RoHS	
KS-240AW-XXT	240W	12V/24V/36V/48V	20A/10A/6.66A/5A	≥91%	UL/cUL/CE/TUV-GS/RoHS	(14.4x2.7x1.6)inch 367*68*41MM
KS-300AW-24T	300W	24V	12.5A	≥91%	UL/cUL/CE/TUV-GS/RoHS	
KS-320AW-XXT	320W	24V/36V/48V	13.3A/8.88A/6.66A	≥91%	UL/cUL/CE/TUV-GS/RoHS	

## HT Series

40W - 320W Constant Voltage  
100-277VAC Triac / Phase-cut Dimmable LED Driver

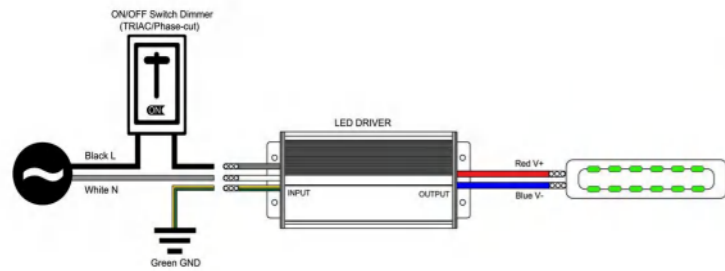
### Features

- 100-277Vac 50/60Hz Input
- 12V,24V,36V,48V PWM Output
- Electronic Wire Connection
- UL/cUL Class2 FCC CE GS ENEC RoHS Cert.
- For Forward & Reverse Phase, MLV, ELV
- High Power Factor, PF $\geq$ 0.95
- Full Dimming Range: 0-100%
- Flicker-free
- Continuous & Smooth & Stable
- Protections: OCP, OVP, SCP, OTP
- Waterproof, For Dry, Damp, Wet Location.
- IP Grade IP65, IP67
- 5 Years Warranty



Class 2 Class P TYPE HL SELV FC CE GS RoHS

### Wiring diagram



### Typical Applications

- Indoor & Outdoor
- Commercial lighting
- Architectural lighting
- Advertising lighting
- Recessed lighting (downlights)
- Residential lighting
- Office Lighting
- Stage lighting



### Triac/ Phase-cut Dimming Constant Voltage

For 120V & 277V dimmer Location: dry, damp, wet  
PF $\geq$ 0.95 Dimming Depth: 0.1-100%

Model No. (XX = output voltage)	Output power	Output voltage	Output current	Efficiency	Certificate	Dimension
KS-40A-XXT	40W	12V/24V/36V/48V	3.3A/1.67A/1.11A/0.83A	$\geq$ 88%	UL/cUL/CE/TUV-GS/RoHS Class2	(7.4x2.3x1.4)inch 188*58*36MM
KS-60A-XXT	60W	12V/24V/36V/48V	5A/2.5A/1.67A/1.25A	$\geq$ 88%	UL/cUL/CE/TUV-GS/RoHS Class2	
KS-80A-XXT	80W	12V/24V/36V/48V	6.67A/3.33A/2.22A/1.67A	$\geq$ 88%	UL/cUL/CE/TUV-GS/RoHS (24V,36V,48V) Class2	(8.4x2.3x1.4)inch 213*58*36MM
KS-96A-24T	96W	24V	4A	$\geq$ 88%	UL/cUL/CE/TUV-GS/RoHS Class2	
KS-100A-XXT	100W	12V/24V/36V/48V	8.33A/4.16A/2.78A/2.08A	$\geq$ 88%	UL/cUL/CE/TUV-GS/RoHS (24V,36V,48V) Class2	(9.2x2.7x1.6)inch 234*68*41MM
KS-120A-XXT	120W	12V/24V/36V/48V	10A/5A/3.33A/2.5A	$\geq$ 89%	UL/cUL/CE/TUV-GS/RoHS	
KS-150A-XXT	150W	12V/24V/36V/48V	12.5A/6.25A/4.16A/3.13A	$\geq$ 89%	UL/cUL/CE/TUV-GS/RoHS	(10x2.7x1.6)inch 258*68*41MM
KS-180A-12T	180W	12V	15A	$\geq$ 89%	UL/cUL/CE/TUV-GS/RoHS	
KS-200A-XXT	200W	12V/24V/36V/48V	16.66A/8.33A/5.55A/4.16A	$\geq$ 91%	UL/cUL/CE/TUV-GS/RoHS	(10x2.7x1.6)inch 258*68*41MM
KS-240A-XXT	240W	12V/24V/36V/48V	20A/10A/6.66A/5A	$\geq$ 91%	UL/cUL/CE/TUV-GS/RoHS	
KS-300A-24T	300W	24V	12.5A	$\geq$ 91%	UL/cUL/CE/TUV-GS/RoHS	(10x2.7x1.6)inch 258*68*41MM
KS-320A-XXT	320W	24V/36V/48V	13.3A/8.88A/6.66A	$\geq$ 91%	UL/cUL/CE/TUV-GS/RoHS	

## LT Series

30W - 100W Constant Voltage  
100-277VAC Triac / Phase-cut Dimmable LED Driver

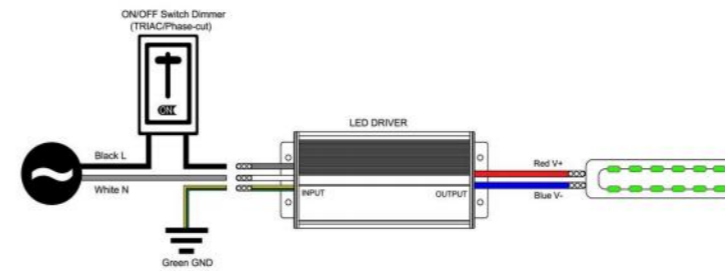
### Features

- 100-277Vac 50/60Hz Input
- 12V,24V,36V,48V PWM Output
- Electronic Wire Connection
- UL/cUL Class2 FCC CE GS ENEC RoHS Cert.
- For Forward & Reverse Phase, MLV, ELV
- High Power Factor, PF $\geq$ 0.95
- Full Dimming Range: 0-100%
- Flicker-free
- Continuous & Smooth & Stable
- Protections: OCP, OVP, SCP, OTP
- Waterproof, For Dry, Damp, Wet Location.
- IP Grade IP65, IP67
- 5 Years Warranty



Class 2 Class P TYPE HL SELV FC CE GS RoHS

### Wiring diagram



### Typical Applications

- Indoor & Outdoor
- Commercial lighting
- Architectural lighting
- Advertising lighting
- Recessed lighting (downlights)
- Residential lighting
- Office Lighting
- Stage lighting



### Triac/ Phase-cut Dimming Constant Voltage

For 120V & 277V dimmer Location: dry, damp, wet  
PF $\geq$ 0.95 Dimming Depth: 0.1-100%

Model No. (XX = output voltage)	Output power	Output voltage	Output current	Efficiency	Certificate	Dimension
KS-30LW-XXT	30W	12V/24V/36V/48V	2.5A/1.25A/0.83A/0.62A	$\geq$ 89%	UL/cUL/CE/TUV-GS/RoHS Class2	(10.6x1.25x0.96)inch 270*32*24.5MM
KS-40LW-XXT	40W	12V/24V/36V/48V	3.3A/1.67A/1.11A/0.83A	$\geq$ 89%	UL/cUL/CE/TUV-GS/RoHS Class2	
KS-60LW-XXT	60W	12V/24V/36V/48V	5A/2.5A/1.67A/1.25A	$\geq$ 89%	UL/cUL/CE/TUV-GS/RoHS Class2	(12.2x1.25x0.96)inch 310*32*24.5MM
KS-80LW-XXT	80W	12V/24V/36V/48V	6.67A/3.33A/2.22A/1.67A	$\geq$ 89%	UL/cUL/CE/TUV-GS/RoHS (24V,36V,48V) Class2	
KS-96LW-24T	96W	24V	4A	$\geq$ 89%	UL/cUL/CE/TUV-GS/RoHS Class2	(13.9x1.25x0.96)inch 355*32*24.5MM
KS-100LW-XXT	100W	12V/24V/36V/48V	8.33A/4.16A/2.78A/2.08A	$\geq$ 89%	UL/cUL/CE/TUV-GS/RoHS (24V,36V,48V) Class2	

## HMT Series

180W - 384W Constant Voltage  
100-277VAC Triac / Phase-cut Dimmable LED Driver

### Features

- 100-277Vac 50/60Hz Input
- 12V,24V,36V,48V PWM Output
- Class 2 Multiple output
- UL/cUL Class2 FCC CE GS ENEC RoHS Cert.
- For Forward & Reverse Phase, MLV, ELV
- High Power Factor, PF≥0.95
- Smooth flicker-free dimming down to 0.1%
- Compact size with junction box
- Protections: OCP, OVP, SCP, OTP
- Waterproof, For Dry, Damp, Wet Location.
- 5 Years Warranty

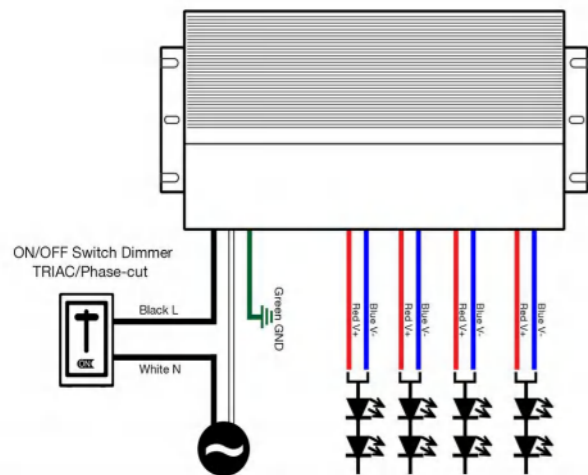


- ✓ Multiple output
- ✓ Constant Voltage

0% 100%  
Triac dimmable

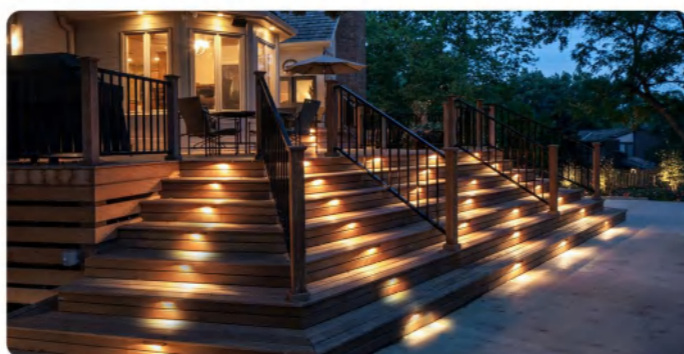
Class 2 Class P TYPE HL

### Wiring diagram



### Typical Applications

- Strip lights
- Pendants
- high density LED (COB) products
- Linears
- Cove Lights



### Triac/ Phase-cut Dimming Constant Voltage

For 120V & 277V dimmer

PF≥0.95

Location: dry, damp, wet

Dimming Depth: 0.1-100%

Model No. (XX = output voltage)	Output power	Output	Efficiency	Certificate	Dimension
KS-180MW-XXT	MULTI 3x60W	12V MULTI 3*5A 24V MULTI 3*2.5A 36V MULTI 3*1.67A 48V MULTI 3*0.83A	≥90%	UL/cUL/Class 2	(7.5x4.4x1.5)inch 190*113*38MM
KS-192MW-XXT	MULTI 2x96W	24V MULTI 2*4.0A 36V MULTI 2*2.67A 48V MULTI 2*2.0A	≥91%	UL/cUL/Class 2	(7.5x4.4x1.5)inch 190*113*38MM
KS-288MW-XXT	MULTI 3x96W	24V MULTI 3*4.0A 36V MULTI 3*2.67A 48V MULTI 3*2.0A	≥91%	UL/cUL/Class 2	(8.7x4.8x1.5)inch 220*123*38MM
KS-300MW-XXT	MULTI 5x60W	12V MULTI 5*5A 24V MULTI 5*2.5A 36V MULTI 5*1.67A 48V MULTI 5*0.83A	≥90.5%	UL/cUL/Class 2	(8.7x4.8x1.5)inch 220*123*38MM
KS-384MW-XXT	MULTI 4x96W	24V MULTI 4*4.0A 36V MULTI 4*2.67A 48V MULTI 4*2.0A	≥91%	UL/cUL/Class 2	(8.7x4.8x1.5)inch 220*123*38MM

## NT Series

20W - 96W Constant Voltage  
Triac / Phase-cut Dimmable LED Driver

### Features

- 120Vac 60Hz & 230Vac 50Hz Input
- 12V / 24V PWM Output
- Enclosure With Junction Box
- UL/cUL 8750 Class2 CE Cert.
- For Forward & Reverse Phase, MLV, ELV
- High Power Factor, PF≥0.95
- Full Dimming Range: 0-100%
- Flicker-free
- Continuous & Smooth & Stable
- Protections: OCP, OVP, SCP, OTP
- NEMA 3R Rated
- Waterproof, for Dry, Damp, Wet Location.
- 5 Years Warranty

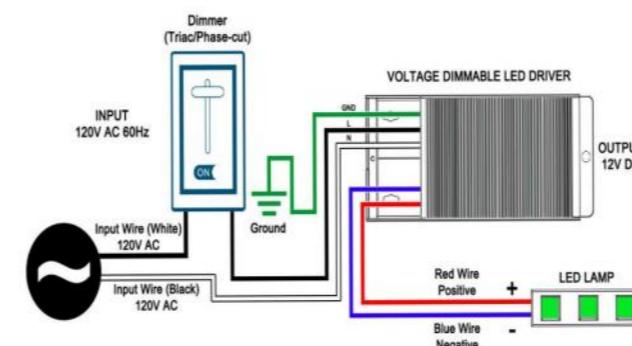


- ✓ Super Compact Aluminum Case
- ✓ Low Temperature rise

0% 100%  
Triac dimmable

Class 2 Class P TYPE HL SELV

### Wiring diagram



The KSPOWER NT series UL cUL Class2, phase-cut dimmable LED driver with an extremely compact, single channel, low profile aluminum case making it the perfect choice for under cabinet lighting, kick/cove lighting, mirror lighting and multiple other residential and commercial lighting fixture applications.



### Triac/ Phase-cut Dimming Constant Voltage

UL/cUL 8750 Class2 CE

Location: dry, damp, wet

PF≥0.95

Dimming Depth: 0.1-100%

Input: 120Vac 60Hz & 230Vac 50Hz

Model No. (XX = output voltage)	Output power	Output voltage	Output current	Certificate	Efficiency	Dimension
ZH-DV20UXX-KT	20W	12V/24V	1.7A/0.84A	UL/cUL 8750 CE Class2	≥90%	(6.95x7x1.4)inch 177*70*35MM
ZH-DV40UXX-KT	40W	12V/24V	3.34A/1.67A	UL/cUL 8750 CE Class2	≥90%	
ZH-DV60UXX-KT	60W	12V/24V	5A/2.5A	UL/cUL 8750 CE Class2	≥90%	
ZH-DV75U24-KT	75W	24V	3.13A	UL/cUL 8750 CE Class2	≥91%	
ZH-DV96U24-KT	96W	24V	4A	UL/cUL 8750 CE Class2	≥91%	

## ET Series

20W - 100W Constant Voltage  
Triac / Phase-cut Dimmable LED Driver

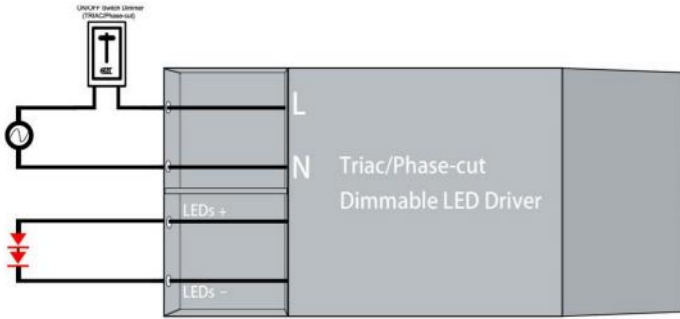
### Features

- 100-120Vac 60Hz & 200-240Vac 50Hz Input
- 12V / 24V PWM Output
- Enclosure With Junction Box
- ETL cETL Class2 CE Cert
- For Forward & Reverse Phase, MLV, ELV
- High Power Factor, PF≥0.95
- Full Dimming Range: 0-100%
- Flicker-free
- Continuous & Smooth & Stable
- Protections: OCP, OVP, SCP, OTP
- For Dry Indoor Location
- 3 Years Warranty



### Wiring diagram

The KSPOWER ET series ETL cETL Class2, phase-cut dimmable LED driver with an extremely compact, single channel, low profile metal case, which is compatible with under cabinet lighting, kick/cove lighting, mirror lighting, a single color or RGB light strip, string light and multiple other residential and commercial lighting fixture applications. It is only for indoor use



### Triac/ Phase-cut Dimming Constant Voltage

ETL cETL Class2 CE Cert. Location: dry, indoor use. PF≥0.95  
Dimming Depth: 0.1-100% Input: 100-120Vac & 200-240Vac

Model No. (XX = output voltage)	Output power	Output voltage	Output current	Efficiency	Dimension
KS-ECA20WXX-T	20W	12V/24V	1.7A/0.84A	≥88%	(7.9x3.34x1.45)inch 200*85*37MM
KS-ECA40WXX-T	40W	12V/24V	3.34A/1.67A	≥88%	
KS-ECA60WXX-T	60W	12V/24V	5A/2.5A	≥88%	
KS-ECA80WXX-T	80W	24V	3.33A	≥90%	
KS-ECA100WXX-T	96W	24V	4.0A	≥90%	

## PUT Series

20W-60W Constant Voltage  
Triac / Phase-cut Dimmable LED Driver

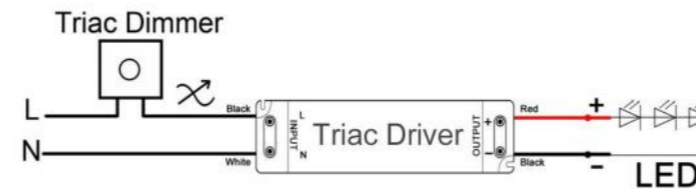
### Features

- 100-120Vac 60Hz & 200-240Vac 50Hz Input
- 12V,24V,36V,48V PWM OutPut
- Safe with fully insulated connectors type: Screw Terminal
- Low weight,Ultra-thin plastic case
- UL cUL Class2 CE ROHS Cert
- For Forward & Reverse Phase,MLV,ELV
- High Power Factor,PF≥0.95
- Full Dimming Range:0-100%
- Flicker-free
- Continuous & Smooth & Stable
- Protections:OCP,OVP,SCP,OTP
- For Dry Indoor Location
- 3 Years Warranty



### Wiring diagram

The KSPOWER PUT series UL cUL Class2,phase-cut dimmable LED driver with an extremely compact, single channel, plastic case, which is compatible with under cabinet lighting, kick/cove lighting, mirror lighting and multiple other residential and commercial lighting fixture applications. It is for indoor use.



### Triac/Phase-cut Dimming Constant Voltage

UL/cUL,Class2,CE Location: dry, indoor use. PF≥0.95  
Dimming Depth: 0.1-100% Input:100-120Vac 60Hz & 200-240Vac

Model No. (xx=output voltage)	Output Power	Output Voltage	Output current	Certificate	Efficiency	Dimension
KS-XX20-PUT	20W	12V/24V/36V/48V	1.67A/0.83A/0.56A/0.42A	UL/cUL 8750 Class2	≥88%	(6.02x1.97x0.78)in 153*50*20mm
KS-XX40-PUT	40W	12V/24V/36V/48V	3.33A/1.67A/1.11A/0.83A	UL/cUL 8750 Class2	≥88%	(6.88x2.36x0.94) in 175*60*24mm
KS-XX60-PUT	60W	12V/24V/36V/48V	5A/2.5A/1.67A/1.25A	UL/cUL 8750 Class2	≥90%	



#### Features

- 100-120Vac 60Hz
- 12V,24V PWM OutPut
- UL cUL Class2 CE ROHS Cert
- Compatible with Triac/ELV/MLV/Phase Dimmers.
- High Power Factor,PF<sub>z</sub>0.95
- Dimming Range:5-100%
- Flicker-free
- Continuous & Smooth & Stable
- Protections:OCP,OVP,SCP,OTP
- For Dry Indoor Location
- 5 Years Warranty



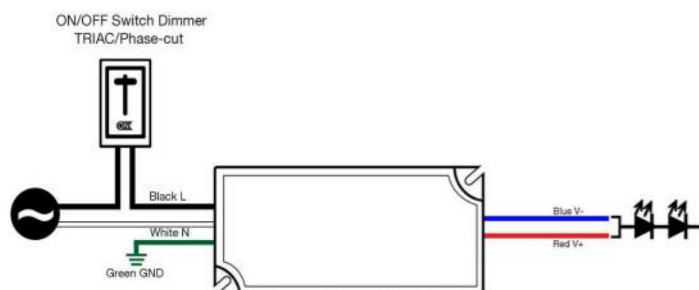
UL US Class 2 Class P TYPE HL SELV CE

## 5 in 1 Dimmable LED Driver Constant Voltage

### Outstanding Performance

- Triac / Phase-cut, 0-10V, 1-10V, 10V PWM, potentiometer Dimming (5 in 1)
- High power factor, PF<sub>z</sub>0.95
- Flicker-free
- 5 years warranty
- Continuous & Smooth & Stable
- Full Dimming range: 0-100%
- Protections: OCP, OVP, SCP, OTP

#### Wiring diagram



#### Typical Applications

- Under cabinet lighting
- Kick/Cover lighting
- Mirror lighting
- Commercial lighting



### Differences Between HPJ/HP, HMP,LP, Series



1. Strong Compatibility with Dimmers of various brands
2. Smooth Dimming & Flicker-free
3. With Detachable Junction Box
4. No buzz or humming
5. Low Temperature rise
6. IP67



1. Strong Compatibility with Dimmers of various brands
2. Smooth Dimming & Flicker-free
3. No buzz or humming
4. Low Temperature rise
5. IP67



1. Slim & Slender size
2. Used for Linear Shape application
3. Smooth Dimming & Flicker-free
4. IP67



1. Class 2 Multiple output
2. Smooth flicker-free dimming down to 0.1%
3. Compatible with high density LED & COB products
4. Compact size with junction box

#### Triac/Phase-cut Dimming Constant Voltage

UL/cUL,Class 2

Location: dry, wet

PF<sub>z</sub>0.95

Dimming Depth: 5-100%

Input:100-120Vac 60Hz

Model No. (XX = output voltage)	Output power	Output voltage	Efficiency	Certificate	Dimension
KS-MN60-12T	60W	12V	≥81%	UL/cUL/FCC Class 2	(3.3x1.77x1.06)inch 84*45*27MM
KS-MN60-24T	60W	24V	≥86%	UL/cUL/FCC Class 2	
KS-MN96-24T	96W	24V	≥88%	UL/cUL/FCC Class 2	

## HPJ Series

**40W - 320W Constant Voltage  
100-277VAC 5 in 1 Dimmable LED Driver**

### Features

- Triac / Phase-cut, 0-10V, 1-10V, 10V PWM, Resistance Dimming (5 in 1)
- 100-277Vac 50/60Hz Input
- 12V,24V,36V,48V PWM Output
- With Detachable Junction Box
- UL/cUL Class2 FCC CE GS ENEC RoHS Cert.
- High Power Factor, PF≥0.95
- Full Dimming Range: 0-100%
- Flicker-free
- Continuous & Smooth & Stable
- Protections: OCP, OVP, SCP, OTP
- Waterproof, For Dry, Damp, Wet Location.
- IP Grade IP65, IP67
- 5 Years Warranty

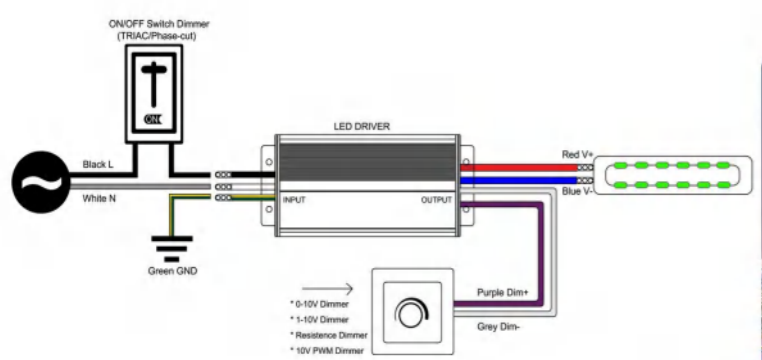


✓ Strong Compatibility  
✓ Detachable Junction Box



Class 2 Class P TYPE HL SELV FC CE GS RoHS

### Wiring diagram



### Typical Applications

- Indoor & Outdoor
- Commercial lighting
- Architectural lighting
- Advertising lighting
- Recessed lighting (downlights)
- Residential lighting
- Office Lighting
- Stage lighting



### 5 in 1 Dimming, Constant Voltage

Input: 100-277Vac 50/60Hz  
PF≥0.95

Location: dry, damp, wet  
Dimming Depth: 0.1-100%

Model No. (XX = output voltage)	Output power	Output voltage	Output current	Efficiency	Certificate	Dimension
KS-40AW-XXP	40W	12V/24V/36V/48V	3.3A/1.67A/1.11A/0.83A	≥88%	UL/cUL/CE/TUV-GS/RoHS Class2	(11.7x2.3x1.4)inch 297*58*36MM
KS-60AW-XXP	60W	12V/24V/36V/48V	5A/2.5A/1.67A/1.25A	≥88%	UL/cUL/CE/TUV-GS/RoHS Class2	
KS-80AW-XXP	80W	12V/24V/36V/48V	6.67A/3.33A/2.22A/1.67A	≥88%	UL/cUL/CE/TUV-GS/RoHS (24V,36V,48V) Class2	
KS-96AW-24P	96W	24V	4A	≥88%	UL/cUL/CE/TUV-GS/RoHS Class2	(12.8x2.3x1.4)inch 322*58*36MM
KS-100AW-XXP	100W	12V/24V/36V/48V	8.33A/4.16A/2.78A/2.08A	≥88%	UL/cUL/CE/TUV-GS/RoHS (24V,36V,48V) Class2	
KS-120AW-XXP	120W	12V/24V/36V/48V	10A/5A/3.33A/2.5A	≥89%	UL/cUL/CE/TUV-GS/RoHS	
KS-150AW-XXP	150W	12V/24V/36V/48V	12.5A/6.25A/4.16A/3.13A	≥89%	UL/cUL/CE/TUV-GS/RoHS	(13.5x2.7x1.6)inch 343*68*41MM
KS-180AW-12P	180W	12V	15A	≥89%	UL/cUL/CE/TUV-GS/RoHS	
KS-200AW-XXP	200W	12V/24V/36V/48V	16.66A/8.33A/5.55A/4.16A	≥91%	UL/cUL/CE/TUV-GS/RoHS	
KS-240AW-XXP	240W	12V/24V/36V/48V	20A/10A/6.66A/5A	≥91%	UL/cUL/CE/TUV-GS/RoHS	(14.4x2.7x1.6)inch 367*68*41MM
KS-300AW-24P	300W	24V	12.5A	≥91%	UL/cUL/CE/TUV-GS/RoHS	
KS-320AW-XXP	320W	24V/36V/48V	13.3A/8.88A/6.66A	≥91%	UL/cUL/CE/TUV-GS/RoHS	

## HP Series

**40W - 320W Constant Voltage  
100-277VAC 5 in 1 Dimmable LED Driver**

### Features

- Triac / Phase-cut, 0-10V, 1-10V, 10V PWM, Resistance Dimming (5 in 1)
- 100-277Vac 50/60Hz Input
- 12V,24V,36V,48V PWM Output
- Electronic Wire Connection
- UL/cUL Class2 FCC CE GS ENEC RoHS Cert.
- High Power Factor, PF≥0.95
- Full Dimming Range: 0-100%
- Flicker-free
- Continuous & Smooth & Stable
- Protections: OCP, OVP, SCP, OTP
- Waterproof, For Dry, Damp, Wet Location.
- IP Grade IP65, IP67
- 5 Years Warranty

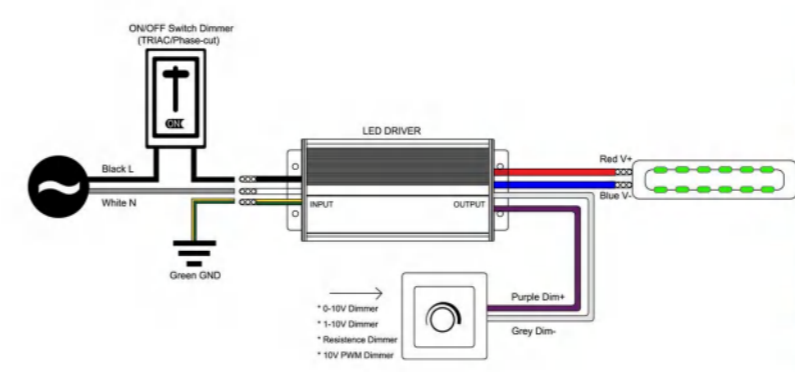


✓ Strong Compatibility



Class 2 Class P TYPE HL SELV FC CE GS RoHS

### Wiring diagram



### Typical Applications

- Indoor & Outdoor
- Commercial lighting
- Architectural lighting
- Advertising lighting
- Recessed lighting (downlights)
- Residential lighting
- Office Lighting
- Stage lighting



### 5 in 1 Dimming, Constant Voltage

Input: 100-277Vac 50/60Hz  
PF≥0.95

Location: dry, damp, wet  
Dimming Depth: 0.1-100%

Model No. (XX = output voltage)	Output power	Output voltage	Output current	Efficiency	Certificate	Dimension
KS-40A-XXP	40W	12V/24V/36V/48V	3.3A/1.67A/1.11A/0.83A	≥88%	UL/cUL/CE/TUV-GS/RoHS Class2	(7.4x2.2x1.4)inch 188*58*36MM
KS-60A-XXP	60W	12V/24V/36V/48V	5A/2.5A/1.67A/1.25A	≥88%	UL/cUL/CE/TUV-GS/RoHS Class2	
KS-80A-XXP	80W	12V/24V/36V/48V	6.67A/3.33A/2.22A/1.67A	≥88%	UL/cUL/CE/TUV-GS/RoHS (24V,36V,48V) Class2	
KS-96A-24P	96W	24V	4A	≥88%	UL/cUL/CE/TUV-GS/RoHS Class2	(8.3x2.3x1.4)inch 213*58*36MM
KS-100A-XXP	100W	12V/24V/36V/48V	8.33A/4.16A/2.78A/2.08A	≥88%	UL/cUL/CE/TUV-GS/RoHS (24V,36V,48V) Class2	
KS-120A-XXP	120W	12V/24V/36V/48V	10A/5A/3.33A/2.5A	≥89%	UL/cUL/CE/TUV-GS/RoHS	
KS-150A-XXP	150W	12V/24V/36V/48V	12.5A/6.25A/4.16A/3.13A	≥89%	UL/cUL/CE/TUV-GS/RoHS	(9.25x2.8x1.6)inch 234*68*41MM
KS-180A-12P	180W	12V	15A	≥89%	UL/cUL/CE/TUV-GS/RoHS	
KS-200A-XXP	200W	12V/24V/36V/48V	16.66A/8.33A/5.55A/4.16A	≥91%	UL/cUL/CE/TUV-GS/RoHS	
KS-240A-XXP	240W	12V/24V/36V/48V	20A/10A/6.66A/5A	≥91%	UL/cUL/CE/TUV-GS/RoHS	(10x2.7x1.6)inch 258*68*41MM
KS-300A-24P	300W	24V	12.5A	≥91%	UL/cUL/CE/TUV-GS/RoHS	
KS-320A-XXP	320W	24V/36V/48V	13.3A/8.88A/6.66A	≥91%	UL/cUL/CE/TUV-GS/RoHS	

## HMP Series

180W - 384W Constant Voltage  
100-277VAC Triac / Phase-cut Dimmable LED Driver

### Features

- Triac / Phase-cut, 0-10V, 1-10V, 10V PWM, Resistance Dimming (5 in 1)
- 100-277Vac 50/60Hz Input
- 12V,24V,36V,48V PWM Output
- Class 2 Multiple output
- UL/cUL Class2 FCC Cert.
- High Power Factor, PF≥0.95
- Smooth flicker-free dimming down to 0.1%
- Compact size with junction box
- Protections: OCP, OVP, SCP, OTP
- Waterproof, For Dry, Damp, Wet Location.
- 5 Years Warranty

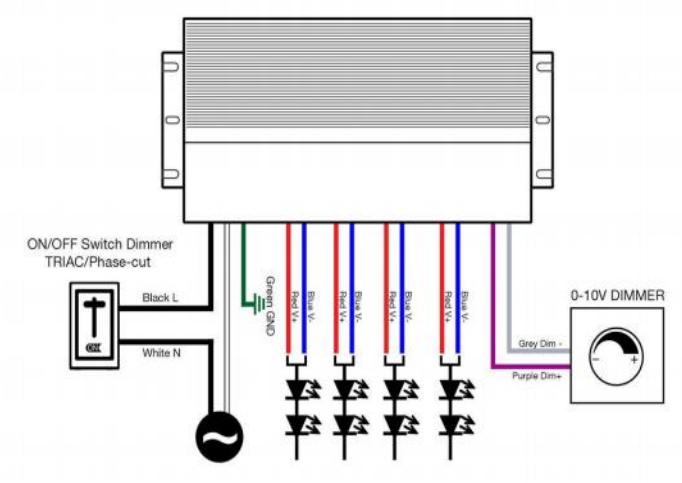


Multiple output  
Constant Voltage

0% Triac dimmable 100%  
0/1-10V dimmable

Class 2 Class PTYPE HL SELV FCC CE GS RoHS

### Wiring diagram



### Typical Applications

- Strip lights
- Pendants
- high density LED (COB) products
- Linears
- Cove Lights



### 5 in 1 Dimming, Constant Voltage

Input: 100-277Vac 50/60Hz  
PF≥0.95

Location: dry, damp, wet  
Dimming Depth: 0.1-100%

Model No. (XX = output voltage)	Output power	Output	Efficiency	Certificate	Dimension
KS-180MW-XXP	MULTI 3x60W	12V MULTI 3*5A 24V MULTI 3*2.5A 36V MULTI 3*1.67A 48V MULTI 3*0.83A	≥90%	UL/cUL/Class 2	(7.5x4.4x1.5)inch 190*113*38MM
KS-192MW-XXP	MULTI 2x96W	24V MULTI 2*4.0A 36V MULTI 2*2.67A 48V MULTI 2*2.0A	≥91%	UL/cUL/Class 2	(7.5x4.4x1.5)inch 190*113*38MM
KS-288MW-XXP	MULTI 3x96W	24V MULTI 3*4.0A 36V MULTI 3*2.67A 48V MULTI 3*2.0A	≥91%	UL/cUL/Class 2	(8.7x4.8x1.5)inch 220*123*38MM
KS-300MW-XXP	MULTI 5x60W	12V MULTI 5*5A 24V MULTI 5*2.5A 36V MULTI 5*1.67A 48V MULTI 5*0.83A	≥90.5%	UL/cUL/Class 2	(8.7x4.8x1.5)inch 220*123*38MM
KS-384MW-XXP	MULTI 4x96W	24V MULTI 4*4.0A 36V MULTI 4*2.67A 48V MULTI 4*2.0A	≥91%	UL/cUL/Class 2	(8.7x4.8x1.5)inch 220*123*38MM

## LP Series

30W - 100W Constant Voltage  
100-277VAC 5 in 1 Dimmable LED Driver

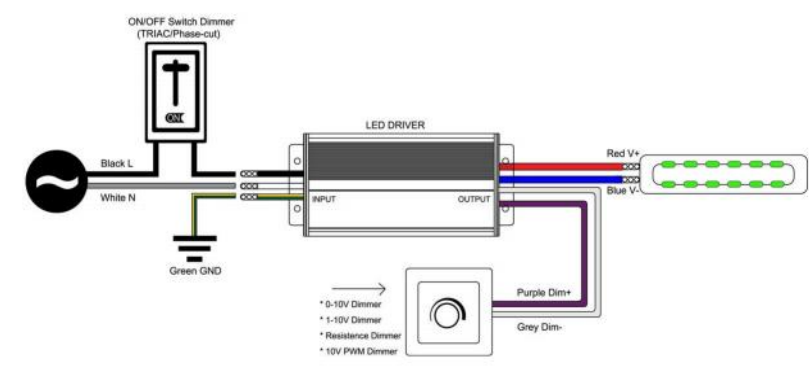
### Features

- Triac / Phase-cut, 0-10V, 1-10V, 10V PWM, Resistance Dimming (5 in 1)
- 100-277Vac 50/60Hz Input
- 12V,24V,36V,48V PWM Output
- Electronic Wire Connection
- UL/cUL Class2 FCC CE GS ENEC RoHS Cert.
- High Power Factor, PF≥0.95
- Full Dimming Range: 0-100%
- Flicker-free
- Continuous & Smooth & Stable
- Protections: OCP, OVP, SCP, OTP
- Waterproof, For Dry, Damp, Wet Location.
- IP Grade IP65, IP67
- 5 Years Warranty



Class 2 Class PTYPE HL SELV FCC CE GS RoHS

### Wiring diagram



### Typical Applications

- Indoor & Outdoor
- Commercial lighting
- Architectural lighting
- Advertising lighting
- Recessed lighting (downlights)
- Residential lighting
- Office Lighting
- Stage lighting



### 5 in 1 Dimming, Constant Voltage

Input: 100-277Vac 50/60Hz  
PF≥0.95

Location: dry, damp, wet  
Dimming Depth: 0.1-100%

Model No. (XX = output voltage)	Output power	Output voltage	Output current	Efficiency	Certificate	Dimension
KS-30LW-XXP	30W	12V/24V/36V/48V	2.5A/1.25A/0.83A/0.62A	≥89%	UL/cUL/CE/TUV-GS/RoHS Class2	(10.6x1.25x0.96)inch
KS-40LW-XXP	40W	12V/24V/36V/48V	3.3A/1.67A/1.11A/0.83A	≥89%	UL/cUL/CE/TUV-GS/RoHS Class2	270*32*24.5MM
KS-60LW-XXP	60W	12V/24V/36V/48V	5A/2.5A/1.67A/1.25A	≥89%	UL/cUL/CE/TUV-GS/RoHS Class2	(12.2x1.25x0.96)inch
KS-80LW-XXP	80W	12V/24V/36V/48V	6.67A/3.33A/2.22A/1.67A	≥89%	UL/cUL/CE/TUV-GS/RoHS (24V,36V,48V) Class2	310*32*24.5MM
KS-96LW-24P	96W	24V	4A	≥89%	UL/cUL/CE/TUV-GS/RoHS Class2	(13.9x1.25x0.96)inch
KS-100LW-XXP	100W	12V/24V/36V/48V	8.33A/4.16A/2.78A/2.08A	≥89%	UL/cUL/CE/TUV-GS/RoHS (24V,36V,48V) Class2	355*32*24.5MM

## 4 in 1 Dimmable LED Driver Constant Voltage

### Outstanding Performance

- 0-10V, 1-10V, 10V PWM, potentiometer Dimming (4in 1)
- High power factor, PF $\geq$ 0.95
- Flicker-free
- 5 years warranty
- Continuous & Smooth & Stable
- Full Dimming range: 0-100%
- Protections: OCP, OVP, SCP, OTP

### Differences Between HOJ/HO, HMO,LO, Series



1. Strong Compatibility with Dimmers of various brands
2. Smooth Dimming & Flicker-free
3. With Detachable Junction Box
4. No buzz or humming
5. Low Temperature rise
6. IP67

1. Strong Compatibility with Dimmers of various brands
2. Smooth Dimming & Flicker-free
3. No buzz or humming
4. Low Temperature rise
5. IP67

1. Slim & Slender size
2. Used for Linear Shape application
3. Smooth Dimming & Flicker-free
4. IP67

1. Class 2 Multiple output
2. Smooth flicker-free dimming down to 0.1%
3. Compatible with high density LED & COB products
4. Compact size with junction box

## HOJ Series

40W - 320W Constant Voltage  
100-277VAC 4 in 1 Dimmable LED Driver

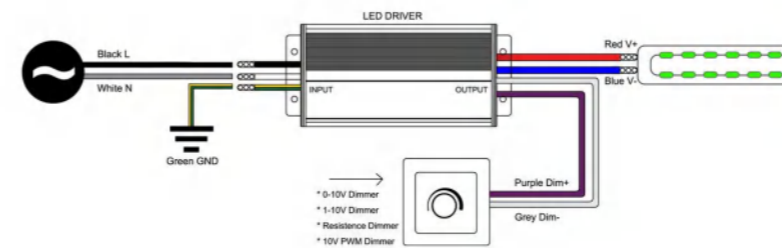
### Features

- 0-10V, 1-10V, 10V PWM, Resistance Dimming (4 in 1)
- 100-277Vac 50/60Hz Input
- 12V,24V,36V,48V PWM Output
- With Detachable Junction Box
- UL/cUL Class2 FCC CE GS ENEC RoHS Cert.
- High Power Factor, PF $\geq$ 0.95
- Full Dimming Range: 0-100%
- Flicker-free
- Continuous & Smooth & Stable
- Protections: OCP, OVP, SCP, OTP
- Waterproof, For Dry, Damp, Wet Location.
- IP Grade IP65, IP67
- 5 Years Warranty



UL US Class 2 Class P TYPE HL SELV FC CE GS RoHS

### Wiring diagram



### Typical Applications

- Indoor & Outdoor
- Commercial lighting
- Architectural lighting
- Advertising lighting
- Recessed lighting (downlights)
- Residential lighting
- Office Lighting
- Stage lighting



### 4 in 1 Dimming Constant Voltage

Input: 100-277Vac 50/60Hz  
PF $\geq$ 0.95

Location: dry, damp, wet  
Dimming Depth: 0.1-100%

Model No. (XX = output voltage)	Output power	Output voltage	Output current	Efficiency	Certificate	Dimension
KS-40AW-XXO	40W	12V/24V/36V/48V	3.3A/1.67A/1.11A/0.83A	$\geq$ 88%	UL/cUL/CE/TUV-GS/RoHS Class2	(11.7x2.3x1.4)inch 297*58*36MM
KS-60AW-XXO	60W	12V/24V/36V/48V	5A/2.5A/1.67A/1.25A	$\geq$ 88%	UL/cUL/CE/TUV-GS/RoHS Class2	
KS-80AW-XXO	80W	12V/24V/36V/48V	6.67A/3.33A/2.22A/1.67A	$\geq$ 88%	UL/cUL/CE/TUV-GS/RoHS (24V,36V,48V) Class2	
KS-96AW-24O	96W	24V	4A	$\geq$ 88%	UL/cUL/CE/TUV-GS/RoHS Class2	
KS-100AW-XXO	100W	12V/24V/36V/48V	8.33A/4.16A/2.78A/2.08A	$\geq$ 88%	UL/cUL/CE/TUV-GS/RoHS (24V,36V,48V) Class2	(12.7x2.3x1.4)inch 322*58*36MM
KS-120AW-XXO	120W	12V/24V/36V/48V	10A/5A/3.33A/2.5A	$\geq$ 89%	UL/cUL/CE/TUV-GS/RoHS	
KS-150AW-XXO	150W	12V/24V/36V/48V	12.5A/6.25A/4.16A/3.13A	$\geq$ 89%	UL/cUL/CE/TUV-GS/RoHS	
KS-180AW-12O	180W	12V	15A	$\geq$ 89%	UL/cUL/CE/TUV-GS/RoHS	(13.5x2.7x1.6)inch 343*68*41MM
KS-200AW-XXO	200W	12V/24V/36V/48V	16.66A/8.33A/5.55A/4.16A	$\geq$ 91%	UL/cUL/CE/TUV-GS/RoHS	
KS-240AW-XXO	240W	12V/24V/36V/48V	20A/10A/6.66A/5A	$\geq$ 91%	UL/cUL/CE/TUV-GS/RoHS	
KS-300AW-24O	300W	24V	12.5A	$\geq$ 91%	UL/cUL/CE/TUV-GS/RoHS	(14.4x2.7x1.6)inch 367*68*41MM
KS-320AW-XXO	320W	24V/36V/48V	13.3A/8.88A/6.66A	$\geq$ 91%	UL/cUL/CE/TUV-GS/RoHS	

## HO Series

40W - 320W Constant Voltage  
100-277VAC 4 in 1 Dimmable LED Driver

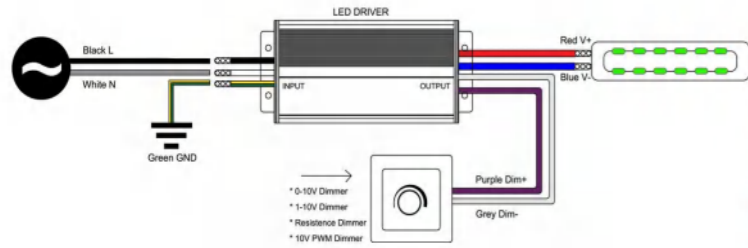
### Features

- 0-10V, 1-10V, 10V PWM, Resistance Dimming (4 in 1)
- Electronic Wire Connection
- UL/cUL Class2 GS ENEC FCC RoHS Certifications
- 12V,24V,36V,48V PWM Output
- High Power Factor, PF≥0.95
- Full Dimming Range: 0-100%
- Flicker-free
- 10% Minimum Load
- Continuous & Smooth & Stable
- Protections: OCP, OVP, SCP, OTP
- Waterproof, Full Protection Case, for Dry, Damp, Wet Location.
- IP Grade IP65, IP67
- 5 Years Warranty



Class 2 Class P TYPE HL SELV RoHS

### Wiring diagram



### Typical Applications

- Indoor & Outdoor
- Commercial lighting
- Architectural lighting
- Advertising lighting
- Recessed lighting (downlights)
- Residential lighting
- Office Lighting
- Stage lighting



### 4 in 1 Dimming Constant Voltage

Input: 100-277Vac 50/60Hz  
PF≥0.95

Location: dry, damp, wet  
Dimming Depth: 0.1-100%

Model No. (XX = output voltage)	Output power	Output voltage	Output current	Efficiency	Certificate	Dimension
KS-40A-XXO	40W	12V/24V/36V/48V	3.3A/1.67A/1.11A/0.83A	≥88%	UL/cUL/CE/TUV-GS/RoHS Class2	(7.4x2.3x1.4)inch 188*58*36MM
KS-60A-XXO	60W	12V/24V/36V/48V	5A/2.5A/1.67A/1.25A	≥88%	UL/cUL/CE/TUV-GS/RoHS Class2	
KS-80A-XXO	80W	12V/24V/36V/48V	6.67A/3.33A/2.22A/1.67A	≥88%	UL/cUL/CE/TUV-GS/RoHS (24V,36V,48V) Class2	(8.4x2.3x1.4)inch 213*58*36MM
KS-96A-24O	96W	24V	4A	≥88%	UL/cUL/CE/TUV-GS/RoHS Class2	
KS-100A-XXO	100W	12V/24V/36V/48V	8.33A/4.16A/2.78A/2.08A	≥88%	UL/cUL/CE/TUV-GS/RoHS (24V,36V,48V) Class2	(9.2x2.7x1.6)inch 234*68*41MM
KS-120A-XXO	120W	12V/24V/36V/48V	10A/5A/3.33A/2.5A	≥89%	UL/cUL/CE/TUV-GS/RoHS	
KS-150A-XXO	150W	12V/24V/36V/48V	12.5A/6.25A/4.16A/3.13A	≥89%	UL/cUL/CE/TUV-GS/RoHS	(10x2.7x1.6)inch 258*68*41MM
KS-180A-12O	180W	12V	15A	≥89%	UL/cUL/CE/TUV-GS/RoHS	
KS-200A-XXO	200W	12V/24V/36V/48V	16.66A/8.33A/5.55A/4.16A	≥91%	UL/cUL/CE/TUV-GS/RoHS	(8.7x4.8x1.5)inch 220*123*38MM
KS-240A-XXO	240W	12V/24V/36V/48V	20A/10A/6.66A/5A	≥91%	UL/cUL/CE/TUV-GS/RoHS	
KS-300A-24O	300W	24V	12.5A	≥91%	UL/cUL/CE/TUV-GS/RoHS	(8.7x4.8x1.5)inch 220*123*38MM
KS-320A-XXO	320W	24V/36V/48V	13.3A/8.88A/6.66A	≥91%	UL/cUL/CE/TUV-GS/RoHS	

## HMO Series

180W - 384W Constant Voltage  
100-277VAC 4 in 1 Dimmable LED Driver

### Features

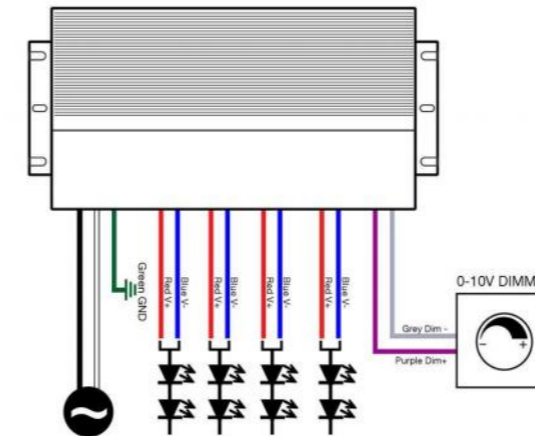
- 0-10V, 1-10V, 10V PWM, Resistance Dimming (4 in 1)
- 100-277Vac 50/60Hz Input
- 12V,24V,36V,48V PWM Output
- Class 2 Multiple output
- UL/cUL Class2 FCC Cert.
- High Power Factor, PF≥0.95
- Smooth flicker-free dimming down to 0.1%
- Compact size with junction box
- Protections: OCP, OVP, SCP, OTP
- Waterproof, For Dry, Damp, Wet Location.
- 5 Years Warranty



Multiple output  
Constant Voltage

Class 2 Class P TYPE HL RoHS

### Wiring diagram



### Typical Applications

- Strip lights
- Pendants
- high density LED (COB) products
- Linears
- Cove Lights



### 4 in 1 Dimming, Constant Voltage

Input: 100-277Vac 50/60Hz  
PF≥0.95

Location: dry, damp, wet  
Dimming Depth: 0.1-100%

Model No. (XX = output voltage)	Output power	Output	Efficiency	Certificate	Dimension
KS-180MW-XXO	MULTI 3x60W	12V MULTI 3*5A 24V MULTI 3*2.5A 36V MULTI 3*1.67A 48V MULTI 3*0.83A	≥90%	UL/cUL/Class 2	(7.5x4.4x1.5)inch 190*113*38MM
KS-192MW-XXO	MULTI 2x96W	24V MULTI 2*4.0A 36V MULTI 2*2.67A 48V MULTI 2*2.0A	≥91%	UL/cUL/Class 2	(7.5x4.4x1.5)inch 190*113*38MM
KS-288MW-XXO	MULTI 3x96W	24V MULTI 3*4.0A 36V MULTI 3*2.67A 48V MULTI 3*2.0A	≥91%	UL/cUL/Class 2	(8.7x4.8x1.5)inch 220*123*38MM
KS-300MW-XXO	MULTI 5x60W	12V MULTI 5*5A 24V MULTI 5*2.5A 36V MULTI 5*1.67A 48V MULTI 5*0.83A	≥90.5%	UL/cUL/Class 2	(8.7x4.8x1.5)inch 220*123*38MM
KS-384MW-XXO	MULTI 4x96W	24V MULTI 4*4.0A 36V MULTI 4*2.67A 48V MULTI 4*2.0A	≥91%	UL/cUL/Class 2	(8.7x4.8x1.5)inch 220*123*38MM

### 30W - 100W Constant Voltage 100-277VAC 4 in 1 Dimmable LED Driver

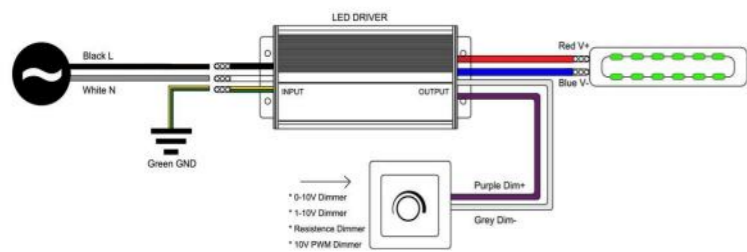
#### Features

- 0-10V, 1-10V, 10V PWM, Resistance Dimming (4 in 1)
- 100-277Vac 50/60Hz Input
- 12V,24V,36V,48V PWM Output
- Electronic Wire Connection
- UL/cUL Class2 FCC CE GS ENEC RoHS Cert.
- High Power Factor, PF $\geq$ 0.95
- Full Dimming Range: 0-100%
- Flicker-free
- Continuous & Smooth & Stable
- Protections: OCP, OVP, SCP, OTP
- Waterproof, For Dry, Damp, Wet Location.
- IP Grade IP65, IP67
- 5 Years Warranty



Class 2 Class P TYPE HL SELV RoHS

#### Wiring diagram



#### Typical Applications

- Indoor & Outdoor
- Commercial lighting
- Architectural lighting
- Advertising lighting
- Recessed lighting (downlights)
- Residential lighting
- Office Lighting
- Stage lighting



#### 4 in 1 Dimming Constant Voltage

Input: 100-277Vac 50/60Hz

Location: dry, damp, wet

PF $\geq$ 0.95

Dimming Depth: 0.1-100%

Model No. (XX = output voltage)	Output power	Output voltage	Output current	Efficiency	Certificate	Dimension
KS-30LW-XXO	30W	12V/24V/36V/48V	2.5A/1.25A/0.83A/0.62A	$\geq$ 89%	UL/cUL/CE/TUV-GS/RoHS Class2	(10.6x1.25x0.96)inch 270°32°24.5MM
KS-40LW-XXO	40W	12V/24V/36V/48V	3.3A/1.67A/1.11A/0.83A	$\geq$ 89%	UL/cUL/CE/TUV-GS/RoHS Class2	(12.2x1.25x0.96)inch 310°32°24.5MM
KS-60LW-XXO	60W	12V/24V/36V/48V	5A/2.5A/1.67A/1.25A	$\geq$ 89%	UL/cUL/CE/TUV-GS/RoHS Class2	(13.9x1.25x0.96)inch 355°32°24.5MM
KS-80LW-XXO	80W	12V/24V/36V/48V	6.67A/3.33A/2.22A/1.67A	$\geq$ 89%	UL/cUL/CE/TUV-GS/RoHS (24V,36V,48V) Class2	
KS-96LW-24O	96W	24V	4A	$\geq$ 89%	UL/cUL/CE/TUV-GS/RoHS Class2	
KS-100LW-XXO	100W	12V/24V/36V/48V	8.33A/4.16A/2.78A/2.08A	$\geq$ 89%	UL/cUL/CE/TUV-GS/RoHS (24V,36V,48V) Class2	

## Non-Dimmable LED Driver

### Outstanding Performance

- High power factor, PF $\geq$ 0.95
- Reliable design
- 3-5 years warranty
- Multiple pattern for choice
- Protections: OCP, OVP, SCP, OTP
- Flicker-free

### Differences Between PUM,PUS,LM, HTJHT, HMT,LT, NT, ET and PUT Series



- PUM Series**
1. 100-240Vac 50/60Hz Input
  2. 12V,24V DC Output
  3. Multiple interface,easy to instation
  4. Customized use
  5. LED Power supply built-in sensor
  - 6.Ultra-thin 17mm



- PUS Series**
1. 100-240Vac 50/60Hz Input
  2. Low weight,Ultra-thin plastic case
  3. Defogger control relay integration
  4. Low Temperature rise



- HJ Series**
- 1.With Detachable Junction Box
  - 2.No buzz or humming
  - 3.Low Temperature rise
  - 4.IP67



- H Series**
1. No buzz or humming
  2. Low Temperature rise
  3. IP67



- L Series**
- 1.Slim & Slender size
  - 2.Used for Linear Shape
  - 3.Smooth Dimming & Flicker-free
  - 4.IP67



- LM Series**
- 1.120VAC or 277VAC installations.
  - 2.Ultra-small size for easy installation in tight Spaces
  - 3.Electronic Wire Connection
  - 4.Waterproof, Full Protection Case, For Dry, Damp, Wet Location.



- N Series**
- 1.NEMA 3R Rated Aluminum Enclosure
  - 2.With Wiring Compartments
  - 3.IP65



- E Series**
- 1.Affordable & Cost-effective style
  - 2.SWiring Compartments
  - 3.Iron housing, IP20



- PUN Series**
- 1.Ultra-Thin & Slight size
  - 2.Terminals Direct Wiring or Plugs
  - 3.Potting glue inside, IP30
  - 4.Used for Cabinet, Wardrobe, Smart Mirror,etc



- P Series**
- 1.Universal 100-240Vac 50/60Hz Input
  - 2.Plastic Case
  - 3.Non-isolated Design
  - 4.Supply Connection: Push-in terminals

### Features

- 100-240Vac 50/60Hz Input
- 12V,24V DC Output
- Multiple interface,easy to instation
- UL/cUL CCC GS ENEC FCC RoHS Certifications
- High Power Factor, 20W PF≥0.6 40-90W PF≥0.95
- Flicker-free
- Protections: OCP, OVP, SCP, OTP
- Working temperature range: -20~45°C
- 5 Years Warranty



LED Strip

LED COB Strip

Puck light

Mini track light

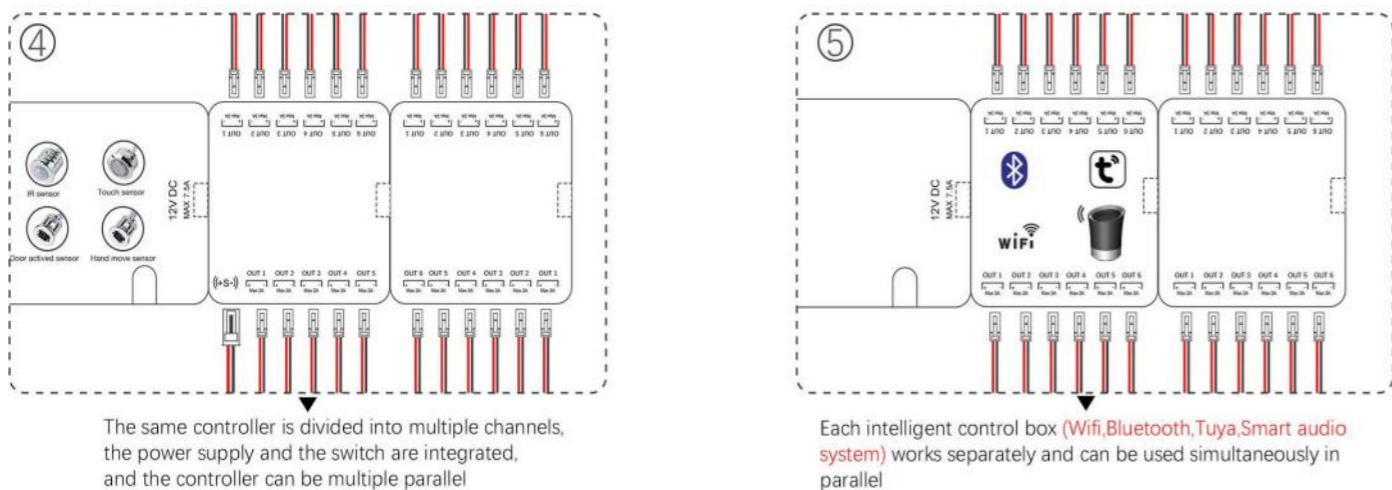
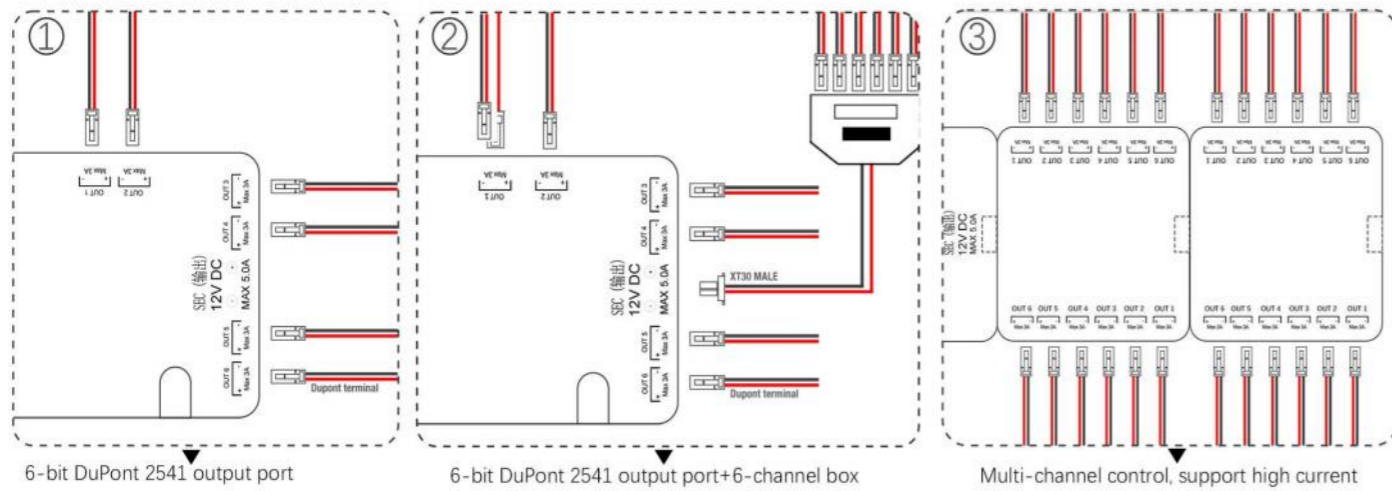
Plinth light

Cabinet led lights

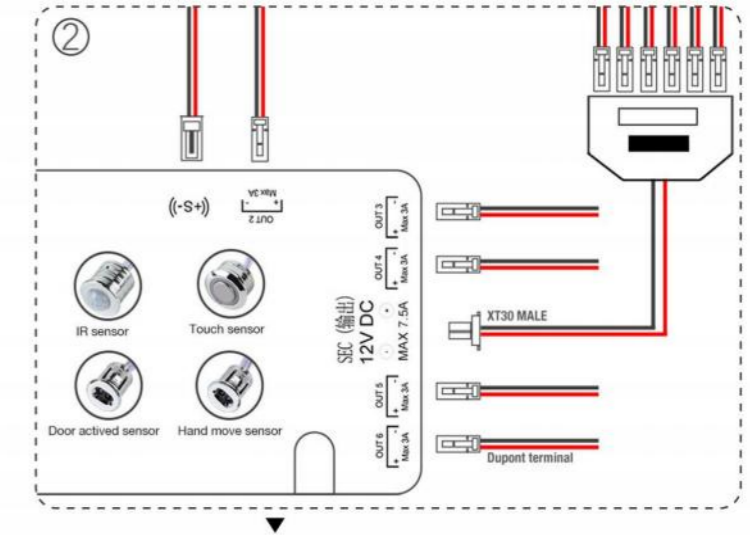
### Typical Applications

- Wine cabinet
- wardrobe
- Ambry
- Exhibition cabinet
- Villa lighting
- Home lighting

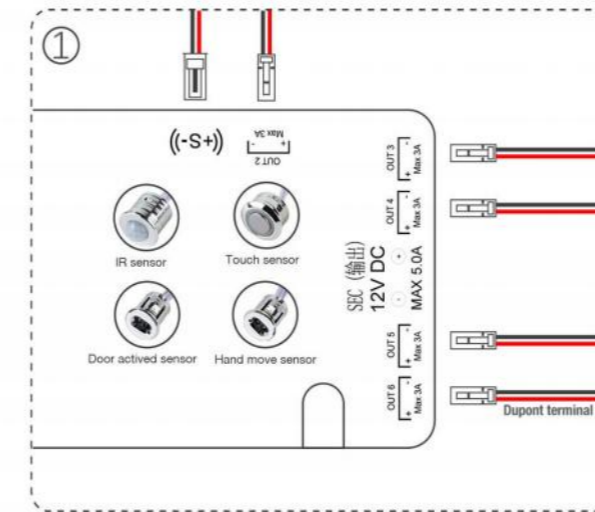
## 1. Customized use



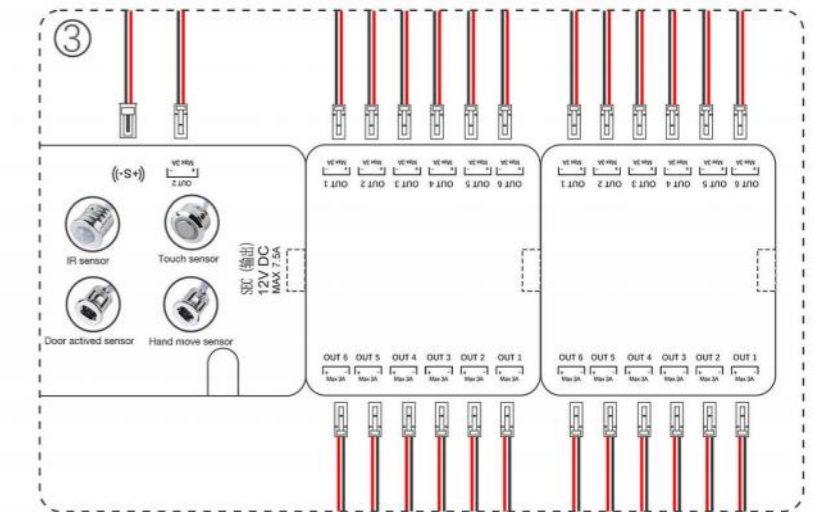
## 2. LED Power supply built-in sensor



One control port can control the other ports + XT30 external port



One control port can control the other ports



One control port can control Multi-channel box,support high current

## Cabinet Smart LED Driver

PF≥0.95 Input: 100-240Vac 50/60Hz Location: dry, damp, wet (Optional)

Model No. (XX = output voltage)	Output power	Output	Efficiency	Certificate	Dimension				
KS-PUM20-XX*	20W	12V 1.67A	≥86%	UL/cUL FCC CE ROHS CCC RCM PSE GS-TUV	(4.64x2.04x0.71)inch 118*52*18MM				
		24V 0.83A	≥87%						
KS-PUM40-XX*	40W	12V 3.33A	≥91%			(6.37x2.36x0.67)inch 162*60*17MM			
		24V 1.67A	≥91%						
KS-PUM60-XX*	60W	12V 5.0A	≥91%						
		24V 2.5A	≥91%						
KS-PUM90-XX*	90W	12V 7.5A	≥91%						
		24V 3.75A	≥91%						

When "\*" = "Z" means customized use, When "\*" = "Y", it means that the sensor is used. When "\*" = V, the external intelligent control box is used

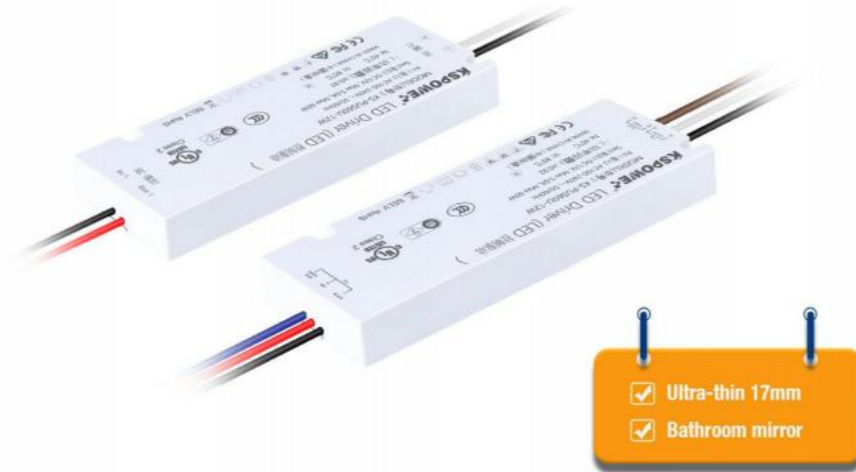
## PUS Series

20W 40W 60W 90W Constant Voltage LED Driver

Heating function is optional

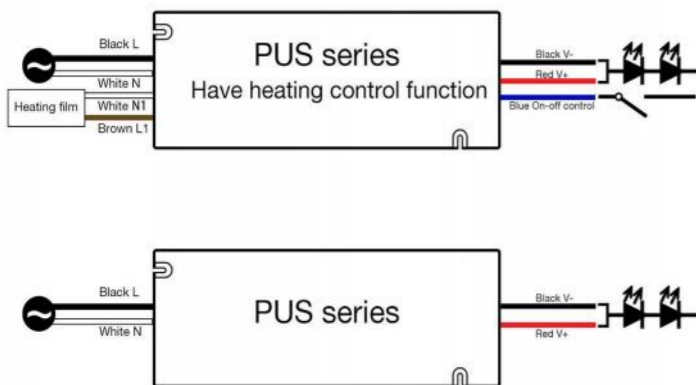
### Features

- 100-240Vac 50/60Hz Input
- 12V,24V DC Output
- Defogger control relay integration
- UL/cUL Class2 GS ENEC FCC RoHS Certifications
- High Power Factor, PF $\geq$ 0.95
- Flicker-free
- Protections: OCP, OVP, SCP, OTP
- For Dry, Damp,Wet Location
- Low weight,Ultra-thin plastic case
- 5 Years Warranty



Class 2 Class P TYPE HL SELV FC CE GS RoHS

### Wiring diagram



### Typical Applications

- Bathroom lighting
- Advertising lighting
- Wardrobe
- Freezer lighting
- Stage lighting
- kitchen lighting
- Display cabinet
- Anti-fog mirror



### Constant Voltage LED Driver

PF $\geq$ 0.95 Input: 100-240Vac 50/60Hz Location: dry, damp, wet

Model No. (XX = output voltage)	Output power	Output	Efficiency	Certificate	Dimension
KS-PUS20*-XXz	20W	12V 1.67A	$\geq$ 86%	UL/cUL FCC CE ROHS CCC RCM PSE GS-TUV	(5x1.97x0.59)inch 127*50*15MM
		24V 0.83A	$\geq$ 87%		
KS-PUS40*-XXz	40W	12V 3.33A	$\geq$ 91%		
		24V 1.67A	$\geq$ 91%		
KS-PUS60*-XXz	60W	12V 5.0A	$\geq$ 91%		
		24V 2.5A	$\geq$ 91%		
KS-PUS90*-XXz	90W	12V 7.5A	$\geq$ 91%		
		24V 3.75A	$\geq$ 91%		

"\*"="U" OR "E",When "\*"="U" It means flying leads, When "\*"="E", it means jacketed cable. ; "z"="W" OR BLANK, When "z"="W" it means have heating control function,When "z"="BLANK" it means don't have heating control function.

## HJ Series

40W - 320W Constant Voltage LED Driver

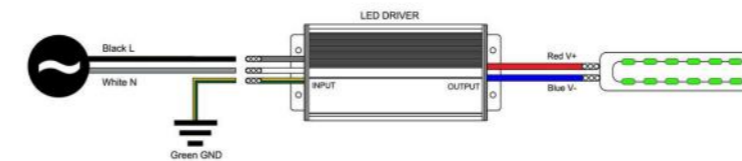
### Features

- 100-277Vac 50/60Hz Input
- 12V,24V,36V,48V DC Output
- With Detachable Junction Box
- UL/cUL Class2 GS ENEC FCC RoHS Certifications
- High Power Factor, PF $\geq$ 0.95
- Flicker-free
- Protections: OCP, OVP, SCP, OTP
- Waterproof, For Dry, Damp,Wet Location
- IP Grade IP65, IP67
- 5 Years Warranty



Class 2 Class P TYPE HL SELV FC CE GS RoHS

### Wiring diagram



### Typical Applications

- Indoor & Outdoor
- Commercial lighting
- Architectural lighting
- Advertising lighting
- Recessed lighting (downlights)
- Residential lighting
- Office Lighting
- Stage lighting



### Constant Voltage LED Driver

PF $\geq$ 0.95 Input: 100-277Vac 50/60Hz Location: dry, damp, wet

Model No. (XX = output voltage)	Output power	Output voltage	Output current	Efficiency	Certificate	Dimension
KS-40AW-XX	40W	12V/24V/36V/48V	3.3A/1.67A/1.11A/0.83A	$\geq$ 88%	UL/cUL/CE/TUV-GS/RoHS Class2	(11.7x2.3x1.4)inch 297*58*36MM
KS-60AW-XX	60W	12V/24V/36V/48V	5A/2.5A/1.67A/1.25A	$\geq$ 88%	UL/cUL/CE/TUV-GS/RoHS Class2	
KS-80AW-XX	80W	12V/24V/36V/48V	6.67A/3.33A/2.22A/1.67A	$\geq$ 88%	UL/cUL/CE/TUV-GS/RoHS (24V,36V,48V) Class2	(12.74x2.3x1.4)inch 322*58*36MM
KS-96AW-24	96W	24V	4A	$\geq$ 88%	UL/cUL/CE/TUV-GS/RoHS Class2	
KS-100AW-XX	100W	12V/24V/36V/48V	8.33A/4.16A/2.78A/2.08A	$\geq$ 88%	UL/cUL/CE/TUV-GS/RoHS (24V,36V,48V) Class2	(13.5x2.7x1.6)inch 343*68*41MM
KS-120AW-XX	120W	12V/24V/36V/48V	10A/5A/3.33A/2.5A	$\geq$ 89%	UL/cUL/CE/TUV-GS/RoHS	
KS-150AW-XX	150W	12V/24V/36V/48V	12.5A/6.25A/4.16A/3.13A	$\geq$ 89%	UL/cUL/CE/TUV-GS/RoHS	(14.4x2.7x1.6)inch 367*68*41MM
KS-180AW-12	180W	12V	15A	$\geq$ 89%	UL/cUL/CE/TUV-GS/RoHS	
KS-200AW-XX	200W	12V/24V/36V/48V	16.66A/8.33A/5.55A/4.16A	$\geq$ 91%	UL/cUL/CE/TUV-GS/RoHS	(14.4x2.7x1.6)inch 367*68*41MM
KS-240AW-XX	240W	12V/24V/36V/48V	20A/10A/6.66A/5A	$\geq$ 91%	UL/cUL/CE/TUV-GS/RoHS	
KS-300AW-24	300W	24V	12.5A	$\geq$ 91%	UL/cUL/CE/TUV-GS/RoHS	(14.4x2.7x1.6)inch 367*68*41MM
KS-320AW-XX	320W	24V/36V/48V	13.3A/8.88A/6.66A	$\geq$ 91%	UL/cUL/CE/TUV-GS/RoHS	



## H Series

### 40W - 320W Constant Voltage LED Driver

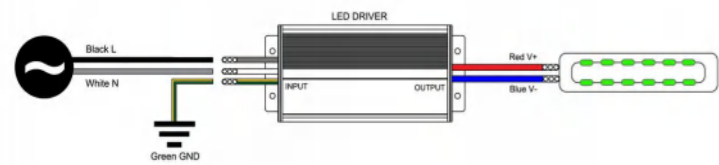
#### Features

- 100-277Vac Input Voltage
- 12V,24V,36V,48V DC Output
- Electronic Wire Connection
- UL/cUL Class2 GS ENEC FCC RoHS Certifications
- High Power Factor, PF≥0.95
- Flicker-free
- Protections: OCP, OVP, SCP, OTP
- Waterproof, Full Protection Case, For Dry, Damp, Wet Location.
- IP Grade IP65, IP67
- 5 Years Warranty



Class 2 Class P TYPE HL SELV RoHS

#### Wiring diagram



#### Typical Applications

- Indoor & Outdoor
- Commercial lighting
- Architectural lighting
- Advertising lighting
- Recessed lighting (downlights)
- Residential lighting
- Office Lighting
- Stage lighting



#### Constant Voltage LED Driver

PF≥0.95 Input: 100-277Vac 50/60Hz Location: dry, damp, wet

Model No. (XX = output voltage)	Output power	Output voltage	Output current	Efficiency	Certificate	Dimension
KS-40A-XX	40W	12V/24V/36V/48V	3.3A/1.67A/1.11A/0.83A	≥88%	UL/cUL/CE/TUV-GS/RoHS Class2	(7.4x2.3x1.4)inch 188*58*36MM
KS-60A-XX	60W	12V/24V/36V/48V	5A/2.5A/1.67A/1.25A	≥88%	UL/cUL/CE/TUV-GS/RoHS Class2	
KS-80A-XX	80W	12V/24V/36V/48V	6.67A/3.33A/2.22A/1.67A	≥88%	UL/cUL/CE/TUV-GS/RoHS (24V,36V,48V) Class2	
KS-96A-24	96W	24V	4A	≥88%	UL/cUL/CE/TUV-GS/RoHS Class2	(8.4x2.3x1.4)inch 213*58*36MM
KS-100A-XX	100W	12V/24V/36V/48V	8.33A/4.16A/2.78A/2.08A	≥88%	UL/cUL/CE/TUV-GS/RoHS (24V,36V,48V) Class2	
KS-120A-XX	120W	12V/24V/36V/48V	10A/5A/3.33A/2.5A	≥89%	UL/cUL/CE/TUV-GS/RoHS	
KS-150A-XX	150W	12V/24V/36V/48V	12.5A/6.25A/4.16A/3.13A	≥89%	UL/cUL/CE/TUV-GS/RoHS	(9.2x2.7x1.6)inch 234*68*41MM
KS-180A-12	180W	12V	15A	≥89%	UL/cUL/CE/TUV-GS/RoHS	
KS-200A-XX	200W	12V/24V/36V/48V	16.66A/8.33A/5.55A/4.16A	≥91%	UL/cUL/CE/TUV-GS/RoHS	
KS-240A-XX	240W	12V/24V/36V/48V	20A/10A/6.66A/5A	≥91%	UL/cUL/CE/TUV-GS/RoHS	(10x2.7x1.6)inch 258*68*41MM
KS-300A-24	300W	24V	12.5A	≥91%	UL/cUL/CE/TUV-GS/RoHS	
KS-320A-XX	320W	24V/36V/48V	13.3A/8.88A/6.66A	≥91%	UL/cUL/CE/TUV-GS/RoHS	

## L Series

### 30W - 100W Constant Voltage LED Driver

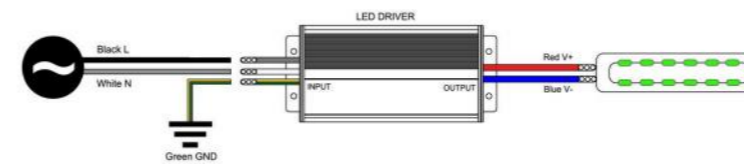
#### Features

- 100-277Vac Input Voltage
- 12V,24V,36V,48V DC Output
- Electronic Wire Connection
- UL/cUL Class2 GS ENEC FCC RoHS Certifications
- High Power Factor, PF≥0.95
- Flicker-free
- Protections: OCP, OVP, SCP, OTP
- Waterproof, Full Protection Case, For Dry, Damp, Wet Location.
- IP Grade IP65, IP67
- 5 Years Warranty



Class 2 Class P TYPE HL SELV RoHS

#### Wiring diagram



#### Typical Applications

- Indoor & Outdoor
- Commercial lighting
- Architectural lighting
- Advertising lighting
- Recessed lighting (downlights)
- Residential lighting
- Office Lighting
- Stage lighting



#### Constant Voltage LED Driver

PF≥0.95 Input: 100-277Vac 50/60Hz Location: dry, damp, wet

Model No. (XX = output voltage)	Output power	Output voltage	Output current	Efficiency	Certificate	Dimension
KS-30LW-XX	30W	12V/24V/36V/48V	2.5A/1.25A/0.83A/0.62A	≥89%	UL/cUL/CE/TUV-GS/RoHS Class2	(10.6x1.25x0.96)inch 270*32*24.5MM
KS-40LW-XX	40W	12V/24V/36V/48V	3.3A/1.67A/1.11A/0.83A	≥89%	UL/cUL/CE/TUV-GS/RoHS Class2	
KS-60LW-XX	60W	12V/24V/36V/48V	5A/2.5A/1.67A/1.25A	≥89%	UL/cUL/CE/TUV-GS/RoHS Class2	(12.2x1.25x0.96)inch 310*32*24.5MM
KS-80LW-XX	80W	12V/24V/36V/48V	6.67A/3.33A/2.22A/1.67A	≥89%	UL/cUL/CE/TUV-GS/RoHS (24V,36V,48V) Class2	
KS-96LW-24	96W	24V	4A	≥89%	UL/cUL/CE/TUV-GS/RoHS Class2	(13.9x1.25x0.96)inch 355*32*24.5MM
KS-100LW-XX	100W	12V/24V/36V/48V	8.33A/4.16A/2.78A/2.08A	≥89%	UL/cUL/CE/TUV-GS/RoHS (24V,36V,48V) Class2	

## LM Series

### 40W/60W/96W Constant Voltage Compact and Slim LED Driver

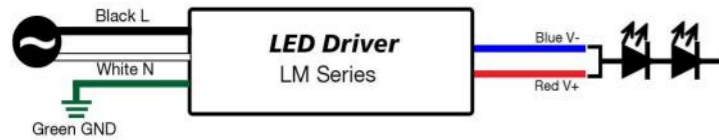
#### Features

- For use with 120VAC or 277VAC installations.
- 12V,24V,36V,48V DC Output
- Electronic Wire Connection
- UL/cUL Class2 FCC RoHS Certifications
- High Power Factor, PF≥0.95
- Protections: OCP, OVP, SCP, OTP
- Compact size
- Waterproof, Full Protection Case, For Dry, Damp, Wet Location.
- 5 Years Warranty



UL Class 2 Class P TYPE HL SELV FC CE GS RoHS

#### Wiring diagram



#### Typical Applications

- Indoor & Outdoor
- Residential Lighting
- Cove Lights
- Linears
- Pendants
- Strip Lights



#### Constant Voltage LED Driver

PF≥0.95 Input: 100-277Vac 50/60Hz Location: dry, damp, wet

Model No. (XX = output voltage)	Output power	Output	Efficiency	Certificate	Dimension
KS-LM40-XX	40W	12V 3.13A	≥88%	UL/cUL FCC CE ROHS CCC RCM PSE GS-TUV	(5.11x0.81x0.77)inch 130*20.5*19.5MM
		24V 1.67A	≥89%		
KS-LM60-XX	60W	12V 5A	≥90%		
		24V 2.5A	≥91%		
KS-LM96-XX	96W	12V 8.0A	≥91%		(5.51x0.83x0.79)inch 140*21*20MM
		24V 4.0A	≥92%		
KS-LM100-XX	100W	12V 8.3A	≥91%		
		24V 4.16A	≥92%		

## N Series

### 20W - 96W Constant Voltage LED Driver

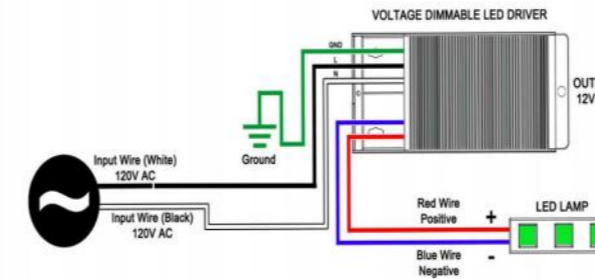
#### Features

- 120Vac 60Hz & 230Vac 50Hz Input
- 12V / 24V DC Output
- Enclosure With Junction Box
- UL/cUL 8750 Class2 CE Cert.
- High Power Factor, PF≥0.95
- Flicker-free
- Protections: OCP, OVP, SCP, OTP
- NEMA 3R Rated
- Waterproof, For Dry, Damp, Wet Location.
- 5 Years Warranty



UL Class 2 Class P TYPE HL SELV FC CE

#### Wiring diagram



The KSPOWER N series UL/cUL Class2 CE Constant Voltage LED driver with an extremely compact, single channel, low profile aluminum case making it the perfect choice for under cabinet lighting, kick/cove lighting, mirror lighting and multiple other residential and commercial lighting fixture applications.



#### Constant Voltage LED Driver

PF≥0.95 Input: 120Vac 60Hz & 230Vac 50Hz Location: dry, damp, wet

Model No. (XX = output voltage)	Output power	Output voltage	Output current	Certificate	Efficiency	Dimension
ZH-DV20UXX	20W	12V/24V	1.7A/0.84A	UL/cUL 8750 Class2	≥90%	(6.95x7x1.4)inch 177*70*35MM
ZH-DV40UXX	40W	12V/24V	3.34A/1.67A	UL/cUL 8750 Class2	≥90%	
ZH-DV60UXX	60W	12V/24V	5A/2.5A	UL/cUL 8750 Class2	≥90%	
ZH-DV75U24	75W	24V	3.13A	UL/cUL 8750 Class2	≥91%	
ZH-DV96U24	96W	24V	4A	UL/cUL 8750 Class2	≥91%	
				UL/cUL 8750 Class2	≥91%	

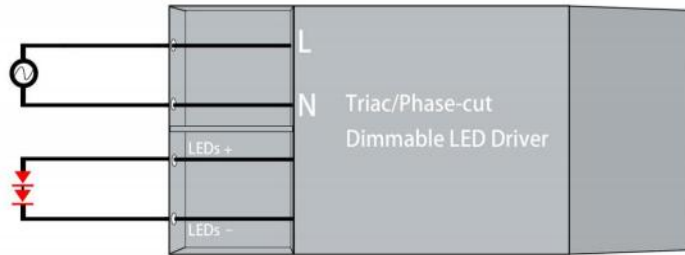
#### Features

- 100-120Vac 60Hz & 200-240Vac 50Hz Input
- 12V / 24V DC Output
- Enclosure With Junction Box
- ETL cETL Class2 Cert.
- High Power Factor, PF≥0.95
- Flicker-free
- Protections: OCP, OVP, SCP, OTP
- For Dry Indoor Location.
- 3 Years Warranty



Class 2 Class P SELV **FC** **CE** IP20

#### Wiring diagram



The KSPOWER E series ETL cETL Class2 CE Constant Voltage LED driver with an extremely compact, single channel, low profile metal case, which is compatible with under cabinet lighting, kick/cove lighting, mirror lighting, a single color or RGB light strip, string light and multiple other residential and commercial lighting fixture applications. It is for indoor use.



#### Constant Voltage LED Driver

PF≥0.95 Input: 100-120Vac 60Hz & 200-240Vac 50Hz Location: dry, indoor

Model No. (XX = output voltage)	Output power	Output voltage	Output current	Efficiency	Dimension
KS-ECA20W12-W	20W	12V/24V	1.7A/0.84A	≥88%	(7.9x3.34x1.45)inch 200*85*37MM
KS-ECA40W12-W	40W	12V/24V	3.34A/1.67A	≥88%	
KS-ECA60W12-W	60W	12V/24V	5A/2.5A	≥88%	
KS-ECA80W24-W	80W	24V	3.33A	≥90%	
KS-ECA100W24-W	96W	24V	4.0A	≥90%	

#### Features

- 100-120Vac 60Hz & 200-240Vac 50Hz input
- 12V,24V,36V,48V DC Output
- Safe with fully insulated connectors type: Screw Terminal
- Low weight,Ultra-thin plastic case
- UL cUL Class2 CE ROHS Cert
- For Forward & Reverse Phase,MLV,ELV
- High Power Factor,PF≥0.95
- Flicker-free
- Protections:OCP,OVP,SCP,OTP
- For Dry Indoor Location
- 3 Years Warranty



Class 2 Class P TYPE HL SELV **FC** **CE**

- ✓ Ultra-Thin & Slight size
- ✓ Plastic housing design, Terminals Direct Wiring or Plugs
- ✓ Potting glue inside, IP30
- ✓ Used for Cabinet, Wardrobe, Smart Mirror

#### Wiring diagram



The KSPOWER PUT series UL cUL Class2 CE Constant Voltage LED driver with an extremely compact, single channel, plastic case, which is compatible with under cabinet lighting, kick/cove lighting, mirror lighting and multiple other residential and commercial lighting fixture applications. It is for indoor use.



#### Constant Voltage LED Driver

PF≥0.95 Location: dry, indoor use.  
Input:100-120Vac 60Hz & 200-240Vac

Model No. (xx=output voltage)	Output Power	Output Voltage	Output current	Certificate	Efficiency	Dimension
KS-XX20-PUN	20W	12V/24V/36V/48V	1.67A/0.83A/0.56A/0.42A	UL/cUL 8750 Class2	≥88%	(6.02x1.97x0.78)in 153*50*20mm
KS-XX40-PUN	40W	12V/24V/36V/48V	3.33A/1.67A/1.11A/0.83A	UL/cUL 8750 Class2	≥88%	
KS-XX60-PUN	60W	12V/24V/36V/48V	5A/2.5A/1.67A/1.25A	UL/cUL 8750 Class2	≥90%	(6.88x2.36x0.94) in 175*60*24mm

**P Series**

**3W - 60W Constant Voltage LED Driver  
Plastic Case**

**Features**

- Universal 100-240Vac 50/60Hz Input
- 12V / 24V / 36V / 48V DC Output
- UL/cUL FCC CE RoHS Cert.
- Plastic Case
- IP20 For Indoor Use
- Protections: OCP, OVP, SCP, OTP
- Non-isolated Design
- Suitable For LED Tape/Strip Modules and Other CV LED Fixtures
- 2 Years Warranty



UL us FC CE RoHS IP20

**Wiring diagram**



**Typical Applications**

- Recessed lighting (downlights)
- Commercial lighting
- Residential lighting
- Architectural lighting
- Office Lighting



**Constant Voltage LED Driver**

Supply Connection Push-in terminals

Location: dry, Indoor use.

Model No. (YYYY = output current)	Output power	Output voltage	Output current	Efficiency	Input	Certificate
ZF120A-120YYYY	5-48W	12V	0.1-4.0A	≥88%	100-240Vac	UL/cUL CE RoHS
ZF120A-240YYYY	5-48W	24V	0.1-2.0A	≥88%		
ZF120A-360YYYY	5-54W	36V	0.1-1.5A	≥90%		
ZF120A-480YYYY	5-57.6W	48V	0.1-1.2A	≥90%		

**Class 2 Power Supply**



**Typical Applications**

- LED strip light
- Commercial lighting
- Residential lighting
- Architectural lighting
- Office Lighting
- Recessed lighting (downlights)
- Other Applications



## Class 2 Power Supply (Desktop)



### Features

- ▶ Constant Voltage Mode
- ▶ 3 Years Warranty
- ▶ Low Noise : 50mV-120mV
- ▶ Applicable Watts: 5W-100W
- ▶ Applicable Voltage: 4.2V-48V
- ▶ Applicable Current : 100mA-5000mA
- ▶ Energy Saving : DOE VI, CEC VI, NRCAN VI
- ▶ Certification: UL/cUL Class 2 FCC etc.
- ▶ OEM ODM Service

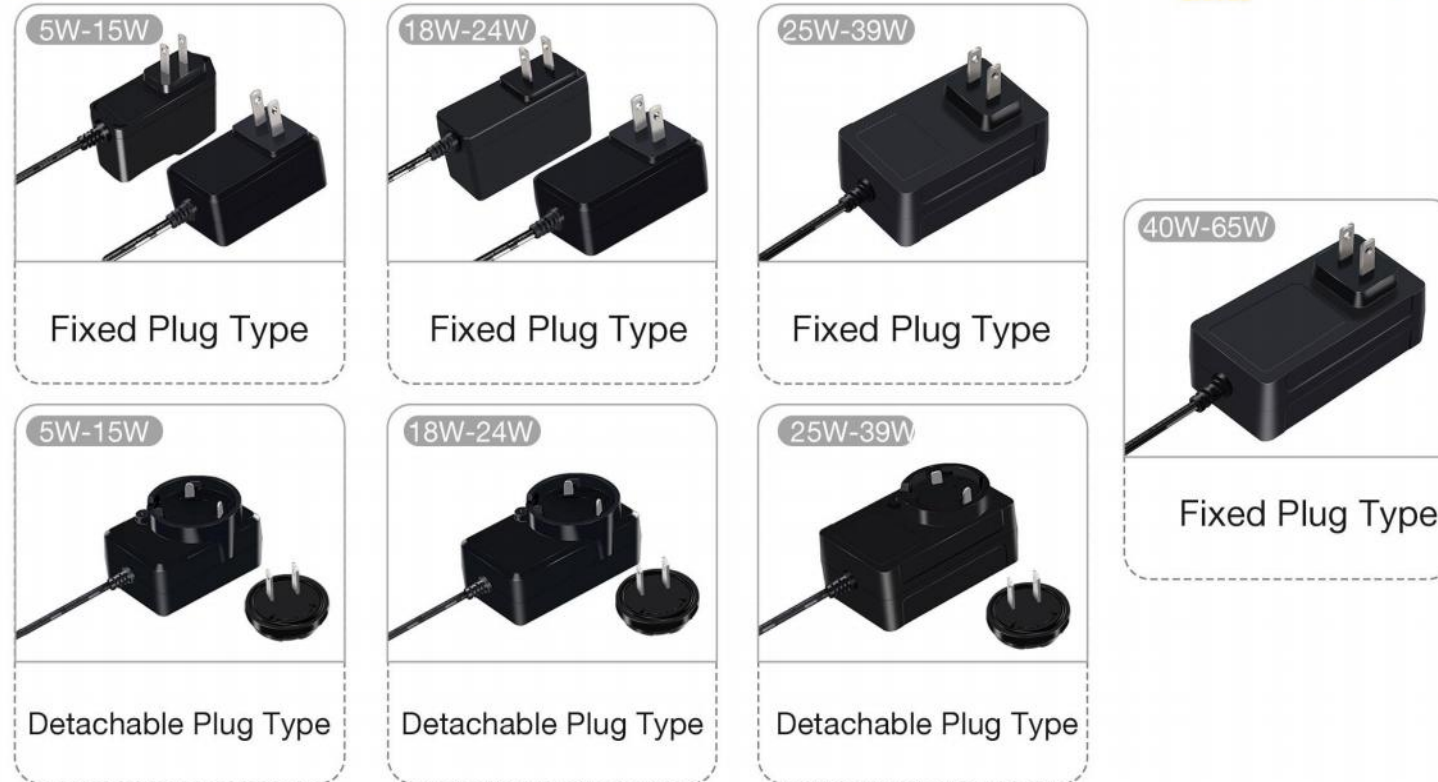
### Typical Dc Connector Options:



### Typical Parameters

Watts	DC Output		Input	AC Inlet	Colour	Dimension
	Amps	Volt				
12W	1000mA	12V	100-240Vac, 50/60Hz	C6 / C8 / Fixed line	Black & White	2.79x1.53x0.98 (inch) 71x39x25mm
	500mA	24V				
24W	2000mA	12V	100-240Vac, 50/60Hz	C6 / C8 / C14 / Fixed line	Black & White	3.54x1.65x1.22 (inch) 90x42x31 mm
	1000mA	24V				
	660mA	36V				
	500mA	48V				
36W	3000mA	12V	100-240Vac, 50/60Hz	C6 / C8 / C14 / Fixed line	Black & White	3.7x1.81x1.26 (inch) 94x46x32mm
	1500mA	24V				
	1000mA	36V				
	750mA	48V				
60W	5000mA	12V	100-240Vac, 50/60Hz	C6 / C8 / C14 / Fixed line	Black & White	4.48x1.96x1.22 (inch) 114x50x31mm
	2500mA	24V				
	1600mA	36V				
	1250mA	48V				
72W	6000mA	12V	100-240Vac, 50/60Hz	C6 / C8 / C14 / Fixed line	Black & White	4.68x2.08x1.26 (inch) 119x53x32mm
	3000mA	24V				
	2000mA	36V				
	1500mA	48V				
96W	8000mA	12V	100-240Vac, 50/60Hz	C6 / C8 / C14 / Fixed line	Black & White	6.02x2.36x1.49 (inch) 153x60x38mm
	4000mA	24V				
	2600mA	36V				
	2000mA	48V				

## Class 2 Power Supply (Wall-mounted)



### Features

- ▶ Constant Voltage Mode
- ▶ 3 Years Warranty
- ▶ Low Noise : 50mV-120mV
- ▶ Applicable Watts: 5W-65W
- ▶ Applicable Voltage: 4.2V-48V
- ▶ Applicable Current : 100mA-5000mA
- ▶ Energy Saving : DOE VI, CEC VI, NRCAN VI
- ▶ Certification: UL/cUL Class 2 FCC etc.
- ▶ OEM ODM Service

### Typical Dc Connector Options:



### Typical Parameters

Watts	DC Output		Input	AC Plug	Colour	Dimension
	Amps	Volt				
12W	1000mA	12V	100-240Vac, 50/60Hz	Horizontal insertion, Vertical insertion, Detachable plug	Black & White	2.28x1.57x1.14 (inch) 58x40x29mm
	500mA	24V				
24W	2000mA	12V	100-240Vac, 50/60Hz	Horizontal insertion, Vertical insertion, Detachable plug	Black & White	2.95x1.57x1.18 (inch) 75x40x30mm
	1000mA	24V				
	660mA	36V				
	500mA	48V				
36W	3000mA	12V	100-240Vac, 50/60Hz	Fixed plug, Detachable plug	Black & White	3.30x1.85x1.22 (inch) 77x47x31mm
	1500mA	24V				
	1000mA	36V				
	750mA	48V				
60W	5000mA	12V	100-240Vac, 50/60Hz	Fixed plug, Detachable plug	Black & White	4.25x1.96x1.22 (inch) 108x50x31mm
	2500mA	24V				
	1600mA	36V				
	1250mA	48V				